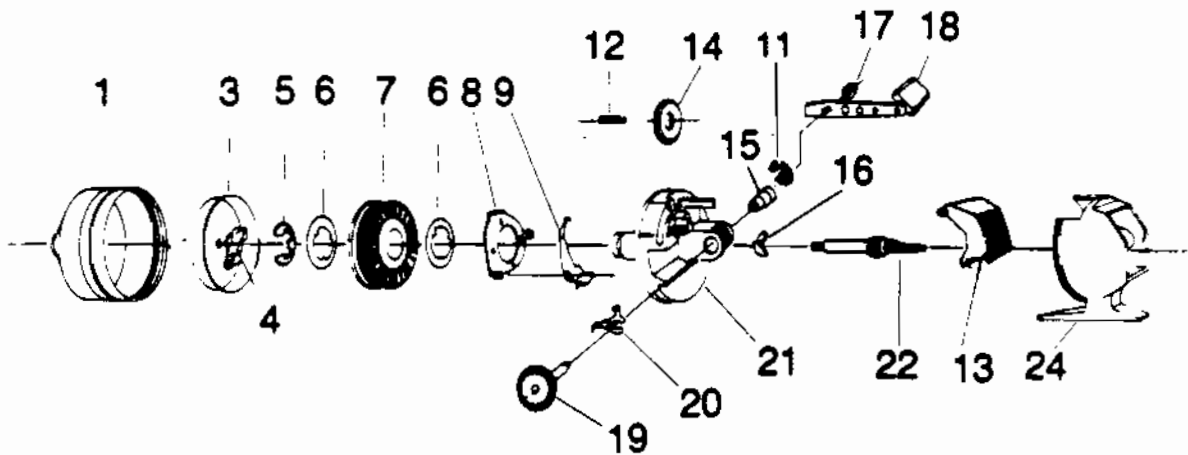


# ZEBCO ZX8



Key No.	Part No.	Description
1	ZZ324-7	FRONT COVER S/A
3	JY310	SPINNERHEAD
4	JY049	PICKUP PIN ARM SPRING
5	JY034	SPOOL CLIP
6	NY040	SPOOL WASHER
7	JY021	SPOOL
7	JY321-8P	WND SPOOL &# LINE
8	AE027	CLUTCH RING
9	RY033	RATCHET SPRING
11	JY121	RETAINER CLIP
12	BJ054-2	CLUTCH SCREW
13	AE009-3	THUMB STOP
14	RY332-1	DRAG ADJ. WHEEL S/A
15	SY026-1	CRANK SHAFT BUSHING
16	JY060	ANTI-REVERSE PAWL
17	AZ003	CRANK NUT
18	AE318	CRANK HANDLE S/A
19	JY308-3	CRANK GEAR S/A
20	JY061	PAWL ACTUATOR
21	AE301-3	BODY ASSY.
22	WY315-2	CENTER SHAFT S/A
24	AE323-5	BACK COVER S/A

WWW.REELDR.COM

Prices subject to change without notice. Prices do not include postage and handling.

**PLEASE ORDER BY PART NUMBER**

Rev. 5/93

Zebco Division Brunswick Corporation, Box 270, Tulsa, OK 74101 USA 918-836-5581

