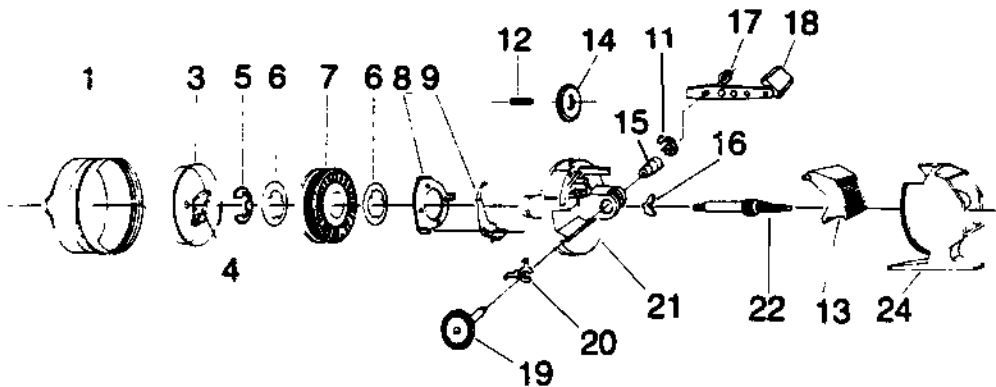


# ZEBCO ZX8



KEY PART NO.	DESCRIPTION
1 ZZ324-7	FRONT COVER S/A
3 JY310	SPINNERHEAD
4 JY049	PICKUP PIN ARM SPRING
5 JY034	SPOOL CLIP
6 NY040	SPOOL WASHER
7 JY021	SPOOL
7 JY321-8P	WND SPOOL 8# LINE
8 AE027	CLUTCH RING
9 RY033	RATCHET SPRING
11 JY121	RETAINER CLIP
12 BJ054-2	CLUTCH SCREW
13 AE009-3	THUMB STOP
14 RY332-1	DRAG ADJ. WHEEL S/A
15 SY026-1	CRANK SHAFT BUSHING
16 JY060	ANTI-REVERSE PAWL
17 AZ003	CRANK NUT
18 AE318	CRANK HANDLE S/A
19 JY308-3	CRANK GEAR S/A
20 JY061	PAWL ACTUATOR
21 AE301-3	BODY ASSY.
22 WY315-2	CENTER SHAFT S/A
24 AE323-5	BACK COVER S/A

[WWW.REELDR.COM](http://WWW.REELDR.COM)

Prices subject to change without notice. Prices do not include postage and handling.

**PLEASE ORDER BY PART NUMBER**

Rev. 11/90

Zebco Division Brunswick Corporation, Box 270, Tulsa, OK 74101 USA 918-838-5581

