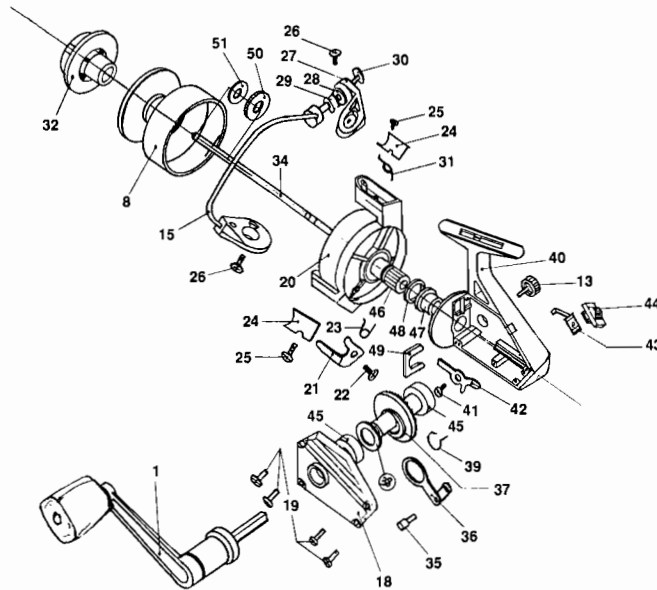


ZEBCO ZX60



**KEY PART
NO. NO.**

1 KK318	HANDLE ASSY.
8 KK321	SPDOL
13 JK073	HANDLE SCREW CAP
15 KK347	BAIL ASSY.
18 KK323	SIDE PLATE
19 JK057	SIDE PLATE SCREW
20 KK009	ROTOR
21 KK019	STOP LEVER
22 KK037	STOP LEVER SCREW
23 KK047	STOP LEVER SPRING
24 KK087	ROTOR COVER
25 KK085	ROTOR COVER SCREW
26 KK051	ANGLE LEVER SCREW
27 KK007	ANGLE LEVER
28 KK016	LINE ROLLER WASHER
29 JK004	LINE ROLLER
30 JK108	LINE ROLLER SCREW
31 KK049	TURNING SPRING
32 KK050	DRAG KNOB ASSY.

**KEY PART
NO. NO.**

34 KK315	MAIN SHAFT ASSY.
35 KK084	OSCILLATOR SLIDER PIN
36 KK025	OSCILLATOR SILDER ARM
37 KK012	DRIVE GEAR
38 JK026	DRIVE GEAR WASHER
39 KK213	DRIVE GEAR SPRING
40 KK301	BODY ASSY.
41 KK089	ANTI-REVERSE PAWL SCREW
42 KK063	ANTI-REVERSE PAWL
43 JK090	ANTI-REVERSE SPRING
44 JK059	ANTI-REVERSE LEVER
45 JK013	SIDE PLATE BUSHING
46 KK011	PINION GEAR
47 KK126	PINION GEAR BUSHING
48 KK010	PINION GEAR WASHER
49 KK125	ROTOR HOLDING PLATE
50 KK161	CLICK
51 KK162	CLICK WASHER

WWW.REELDR.COM

Prices subject to change without notice. Prices do not include postage and handling.

PLEASE ORDER BY PART NUMBER

Rev. 9/88

Zebco Division Brunswick Corporation, Box 270, Tulsa, OK 74101 USA 918-836-5581

