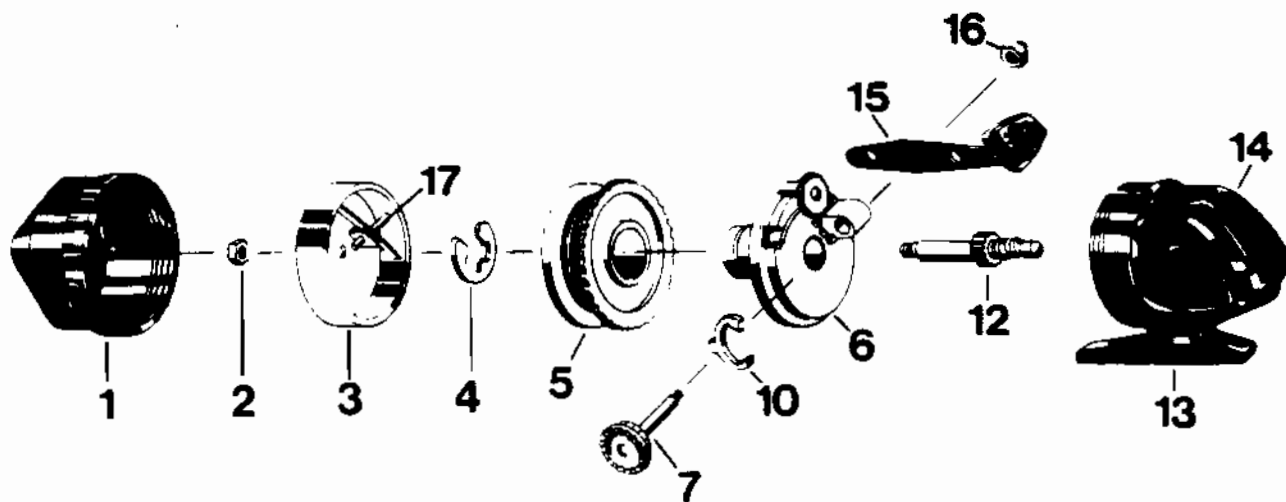


ZEBCO ZX10



KEY PART

NO.	NO.	DESCRIPTION
1	LE324-2	FRONT COVER ASSY.
2	JZ006	SPINNER HEAD NUT
3	ZZ310	SPINNERHEAD ASS'Y
4	JY034	SPOOL CLIP
5	JY321-8P	WND SPOOL 8# LINE
6	ZZ301	BODY ASSY
7	XZ308	CRANK SHAFT SUB-ASSEMBLY
10	XZ053	ANTI REVERSE PAWL
12	ZZ315	CENTERSHAFT SUBASSEMBLY
13	LE323-2	BACK COVER W/TH. BR.
14	LE009	THUMB BRAKE
15	NY318	CRANK HANDLE S/A
16	AZ003	CRANK NUT
17	AE049	PICK-UP PIN SPRING

WWW.REELDR.COM

Prices subject to change without notice. Prices do not include postage and handling.

PLEASE ORDER BY PART NUMBER

Rev. 11/90

Zebco Division Brunswick Corporation, Box 270, Tulsa, OK 74101 USA 918-836-5581

