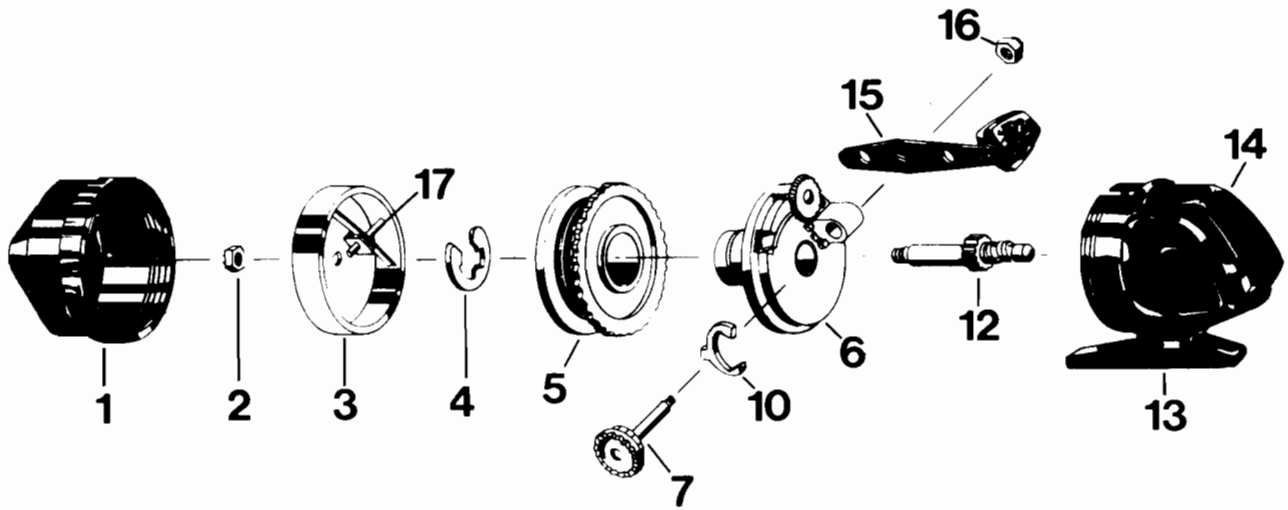


LEBCO ZX10



KEY PART

NO. NO.	DESCRIPTION
1 LE324-2	FRONT COVER ASSY.
2 JZ006	SPINNER HEAD NUT
3 ZZ310	SPINNERHEAD ASS'Y
4 JY034	SPOOL CLIP
5 JY321-BP	WND SPOOL B#
6 ZZ301	BODY ASSY
7 XZ308	CRANK SHAFT SUB-ASSEMBLY
10 XZ063	ANTI REVERSE PAWL
12 ZZ315	CENTERSHAFT SUBASSEMBLY
13 LE323-2	BACK COVER W/TH. BR.
14 LE009	THUMB BRAKE
15 NY318	CRANK HANDLE S/A
16 AZ003	CRANK NUT
17 AE049	PICK-UP PIN SPRING

WWW.REELDR.COM

Prices subject to change without notice. Prices do not include postage and handling.

PLEASE ORDER BY PART NUMBER

Rev. 9/88

Zebco Division Brunswick Corporation, Box 270, Tulsa, OK 74101 USA 918-836-5581

