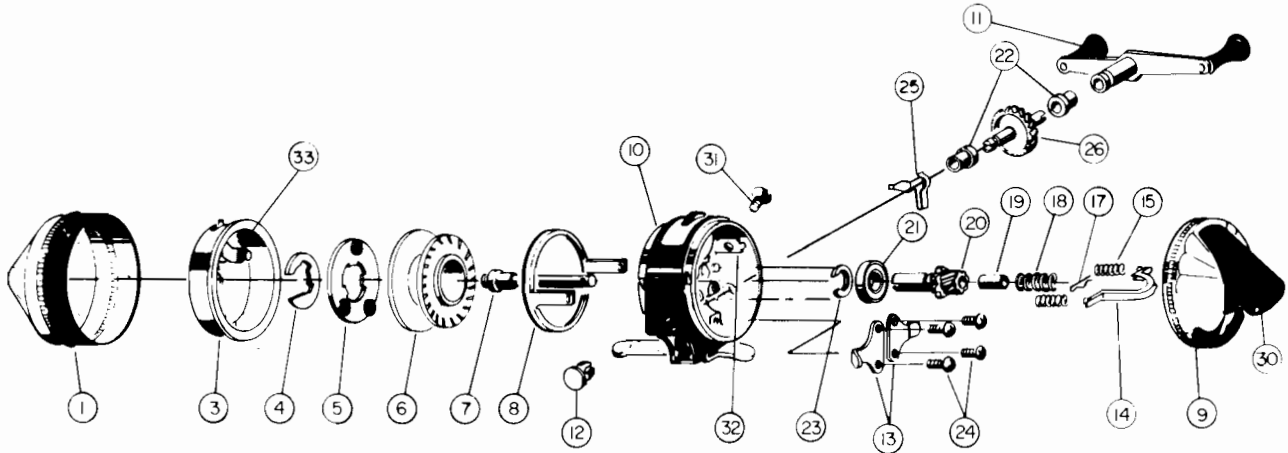


**ZEBCO****STERLING™ 80SR™**

weight	10.5 oz./298 g
pound test	8 10 12
yards	115 100 90
meters	105 91 82



[WWW.REELDR.COM](http://WWW.REELDR.COM)

MODEL 80SR

<u>Key No.</u>	<u>Part No.</u>	<u>Description</u>	<u>Key No.</u>	<u>Part No.</u>	<u>Description</u>
1	IZ324-3	Front Cover (SR)	17	AZ124	Hitch Clip
3	IZ310	Spinner Head Assy.	18	IZ020	Center Shaft Spring
4	GZ034	Retainer Clip	19	AZ078	Center Shaft Spacer
5	AZ040	Spool Washer	20	AZ311	Pinion Gear
6	IZ021	Spool (Empty)	21	AZ028	Ball Bearing
	IZ321-10T	Spool w/10# Trilene	22	AZ026	Crank Bearing
7	AZ315-1	Center Shaft Assy.	23	PZ030	Retainer Clip
8	IZ346	Brake Ring Ret. Assy.	24	AZ057	Retainer Screw
9	IZ323-3	Back Cover w/Th. Brk.	25	IZ052	Anti-Reverse Drag
10	IZ301-3	Body Assembly (SR)	26	IZ308	Crank Shaft
11	IZ318	Crank Handle Assembly	30	IZ309-2	Thumb Stop (SR)
12	IZ074	Closure Cap	31	LZ055	Cover Lock Screw
13	IZ029	Bearing Retainer	32	IZ056	Cover Lock
14	IZ331	Brake Bar	33	JY049	Spinner Head Spring
15	AZ073	Brake Ring Ret. Spring			

PLEASE ORDER BY PART NUMBER

Zebco Division Brunswick Corporation, Box 270, Tulsa, OK 74101 USA 918-836-5581