

TEBCO
STERLING™ 7000™

weight	7.8 oz./221
pound test	2 4 6
yards	210 130 90
gear ratio	4.4:1

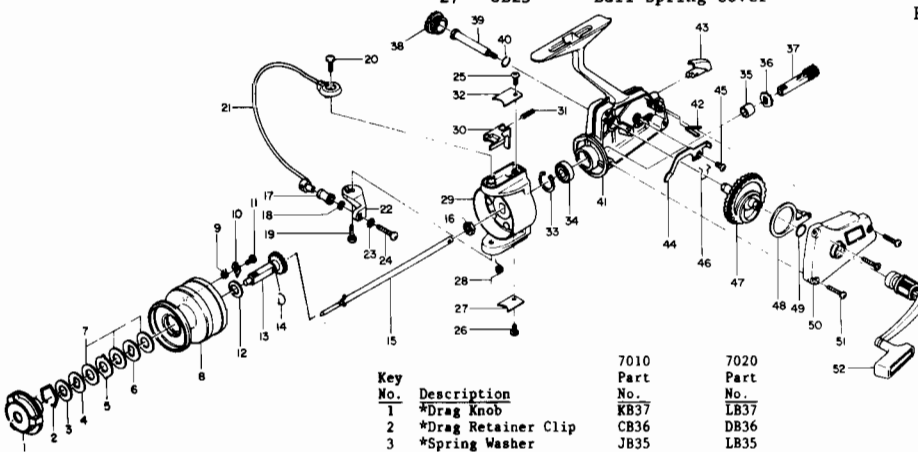
WWW.REELDR.COM

Key No.	Part No.	Description
1	JB37	*Drag Knob
2	CB36	*Drag Retainer Clip
3	JB35	*Spring Washer
4	JB31	*Drag Washer C
5	JB32	*Drag Drive
6	JB30	*Drag Washer A
7	JB33	*Drag Washer B
8	JB321	*Spool Assembly - 7000
9	JB57	*Spool Claw Spring
10	JB55	*Spool Claw
11	JB56	*Spool Claw Screw
12	JB59	*Spool Spindle Washer
13	JB58	*Spool Spindle Assy.
14	JB60	*Spool Spindle Spring
15	JB15	Center Shaft
16	CB6	Rotor Nut
17	CB4	Line Roller
18	CB16	Line Roller Bushing
19	HB8	Bail Screw A
20	HB10	Bail Screw B
21	HB347	Bail Assembly
22	HB3	Bail Arm A
23	CB102	Bail Axle Washer
24	HB7	Bail Axle Screw
25	HB50	Bail Cover Screw
26	HB50	Bail Cover Screw
27	JB25	Bail Spring Cover

Key No.	Part No.	Description
28	HB22	Bail Spring
29	JB9	Rotor
30	HB19	Bail Trip Lever
31	HB20	Bail Trip Spring
32	JB24	Bail Trip Cover
33	CB40	Bearing Retainer
34	HB28	Pinion Bearing
35	HB29	Pinion Spacer
36	HB40	Anti-Rev. Ratchet
37	HB11	Pinion Gear
38	JB73	Handle Retainer Cover
39	HB52	Handle Retainer
40	CB105	Handle Ret. Washer
41	JB301	Body Assembly
42	CB69	Anti-Rev. Knob Spring
43	HB38	Anti-Reverse Knob
44	JB41	Anti-Reverse Pawl
45	HB49	Anti-Rev. Pawl Screw
46	HB44	Oscillator Slider Link
47	JB42	Anti-Rev. Actuator
48	JB12	Crank Gear
49	HB43	Oscillator Slider
50	CB27	Crank Gear Shim
51	JB323	Side Plate Assy.
52	HB48	Side Plate Screws
53	JB318	Crank Handle Assy.

*Available individually or in Spool Assembly.

Rev. 1084. Prices subject to change without notice. Prices do not include postage and handling.



Key No.	Description	7010 Part No.	7020 Part No.
1	*Drag Knob	KB37	LB37
2	*Drag Retainer Clip	CB36	DB36
3	*Spring Washer	JB35	LB35
4	*Drag Washer C	JB31	LB31
5	*Drag Drive	JB32	LB32
6	*Drag Washer A	JB30	LB30
7	*Drag Washer B	JB33	LB33
8	*Spool Assembly	KB321	LB321
9	*Spool Claw Spring	KB57	LB57
10	*Spool Claw	JB55	LB55
11	*Spool Claw Screw	JB56	LB56
12	*Spool Spindle Washer	JB59	LB59
13	*Spool Spindle	KB58	LB58
14	*Spool Spindle Spring	JB60	LB60
15	Center Shaft	KB15	LB15
16	Rotor Nut	CB6	DB6
17	Line Roller	CB4	CB4
18	Line Roller Bushing	CB16	CB16
19	Bail Screw A	CB51	CB51
20	Bail Screw B	CB51	CB51
21	Bail Assembly	CB347	DB347
22	Bail Arm A	CB7	DB7
23	Bail Axle Washer	CB102	CB102
24	Bail Axle Screw	CB108	CB108
25	Bail Cover Screw	CB85	DB85
26	Bail Cover Screw	CB85	DB85
27	Bail Spring Cover	KB25	LB25

TEBCO
STERLING™ 7010™ 7020™

weight	9.8 oz./289 g	11.6 oz./329 g
pound test	4 6 8	8 8 10
yards	260 166 125	330 220 165
gear ratio	6.1:1	4.7:1

Key No.	Description	7010 Part No.	7020 Part No.
28	Bail Spring	KB22	DB22
29	Rotor	KB9	LB9
30	Bail Trip Lever	KB19	DB19
31	Bail Trip Spring	CB49	DB49
32	Bail Trip Cover	KB24	LB24
33	Bearing Retainer	CB40	DB40
34	Pinion Bearing	CB28	DB28
35	Pinion Spacer	KB29	LB29
36	Anti-Rev. Ratchet	KB40	LB40
37	Pinion Gear	KB11	LB11
38	Handle Retainer Cover	JB73	DB73
39	Handle Retainer	CB54	CB54
40	Handle Retainer Washer	CB105	CB105
41	Body Assembly	KB301	LB301
42	Anti-Rev. Knob Spring	CB69	CB69
43	Anti-Reverse Knob	CB59	CB59
44	Anti-Reverse Pawl	KB63	LB63
45	Anti-Rev. Pawl Screw	CB80	CB80
46	Anti-Reverse Actuator	KB42	LB42
47	Crank Gear	KB12	LB12
48	Oscillator Slider	CB25	DB25
49	Crank Gear Shim	CB27	CB27
50	Side Plate Assy.	KB323	LB323
51	Side Plate Screw	CB57	CB57
52	Crank Handle Assy.	KB318	LB318

*Available individually or with Spool Assy.

Rev. 1084. Prices subject to change without notice. Prices do not include postage and handling.