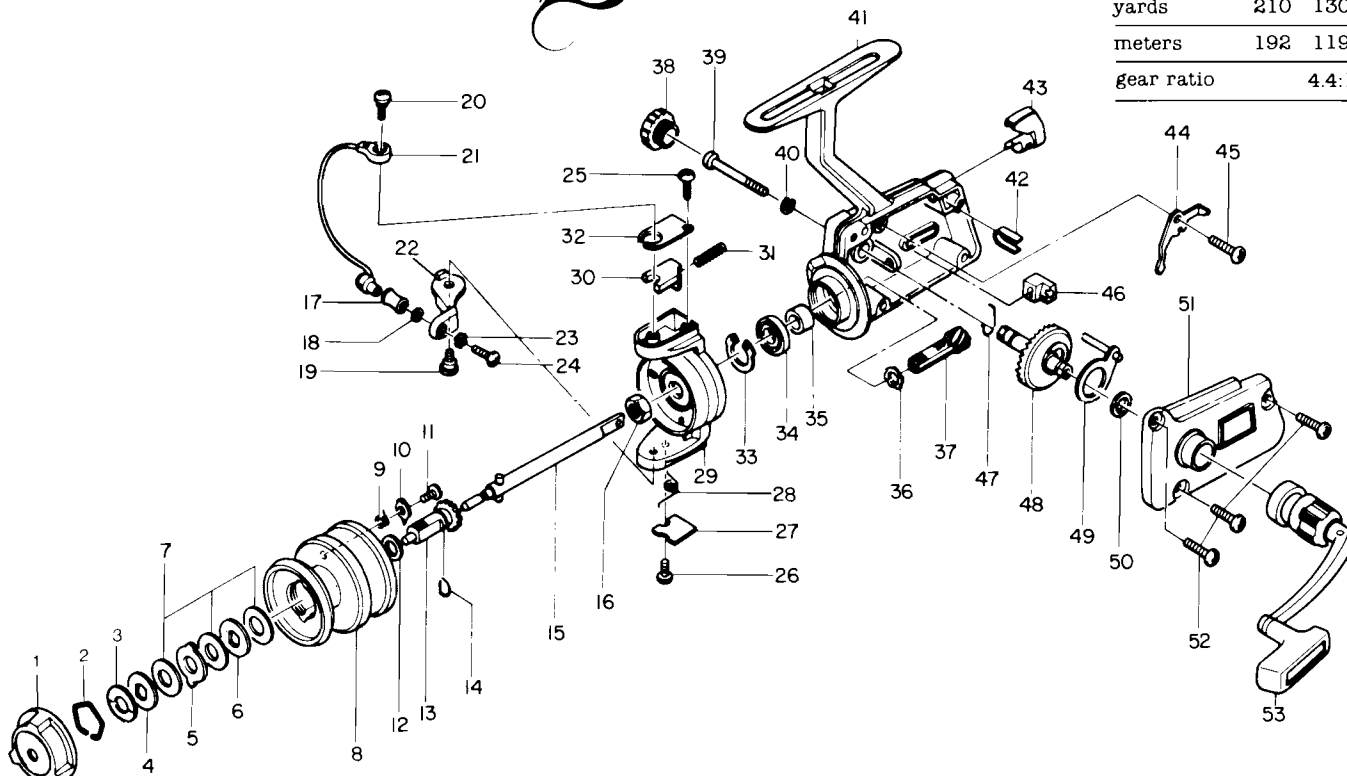


**ZEBCO****STERLING™ 7000™**

weight	7.8 oz./221 g		
pound test	2	4	6
yards	210	130	90
meters	192	119	82
gear ratio	4.4:1		



MODEL 7000

[WWW.REELDR.COM](http://WWW.REELDR.COM)

Key No.	Part No.	Description	Key No.	Part No.	Description
1	JB37	*Drag Knob	28	HB22	Bail Spring
2	CB36	*Drag Retainer Clip	29	JB9	Rotor
3	JB35	*Spring Washer	30	HB19	Bail Trip Lever
4	JB31	*Drag Washer C	31	HB20	Bail Trip Spring
5	JB32	*Drag Drive	32	JB24	Bail Trip Cover
6	JB30	*Drag Washer A	33	CB40	Bearing Retainer
7	JB33	*Drag Washer B	34	HB28	Pinion Bearing
8	JB21	*Spool	35	HB29	Pinion Spacer
9	JB57	*Spool Claw Spring	36	HB40	Anti-Rev. Ratchet
10	JB55	*Spool Claw	37	HB11	Pinion Gear
11	JB56	*Spool Claw Screw	38	JB73	Handle Retainer Cover
12	JB59	*Spool Spindle Washer	39	HB52	Handle Retainer
13	JB58	*Spool Spindle Assy.	40	CB105	Handle Ret. Washer
14	JB60	*Spool Spindle Spring	41	JB301	Body Assembly
15	JB15	Center Shaft	42	CB69	Anti-Rev. Knob Spring
16	CB6	Rotor Nut	43	HB38	Anti-Reverse Knob
17	CB4	Line Roller	44	JB41	Anti-Reverse Pawl
18	CB16	Line Roller Bushing	45	HB49	Anti-Rev. Pawl Screw
19	HB8	Bail Screw A	46	HB44	Oscillator Slider Link
20	HB10	Bail Screw B	47	JB42	Anti-Rev. Actuator
21	HB347	Bail Assembly	48	JB12	Crank Gear
22	HB3	Bail Arm A	49	HB43	Oscillator Slider
23	CB102	Bail Axle Washer	50	CB27	Crank Gear Shim
24	HB7	Bail Axle Screw	51	JB323	Side Plate Assy.
25	HB50	Bail Cover Screw	52	HB48	Side Plate Screws
26	HB50	Bail Cover Screw	53	JB318	Crank Handle Assy.
27	JB25	Bail Spring Cover			

\*Available as One Unit,  
JB321 Spool Assy.

**PLEASE ORDER BY PART NUMBER**