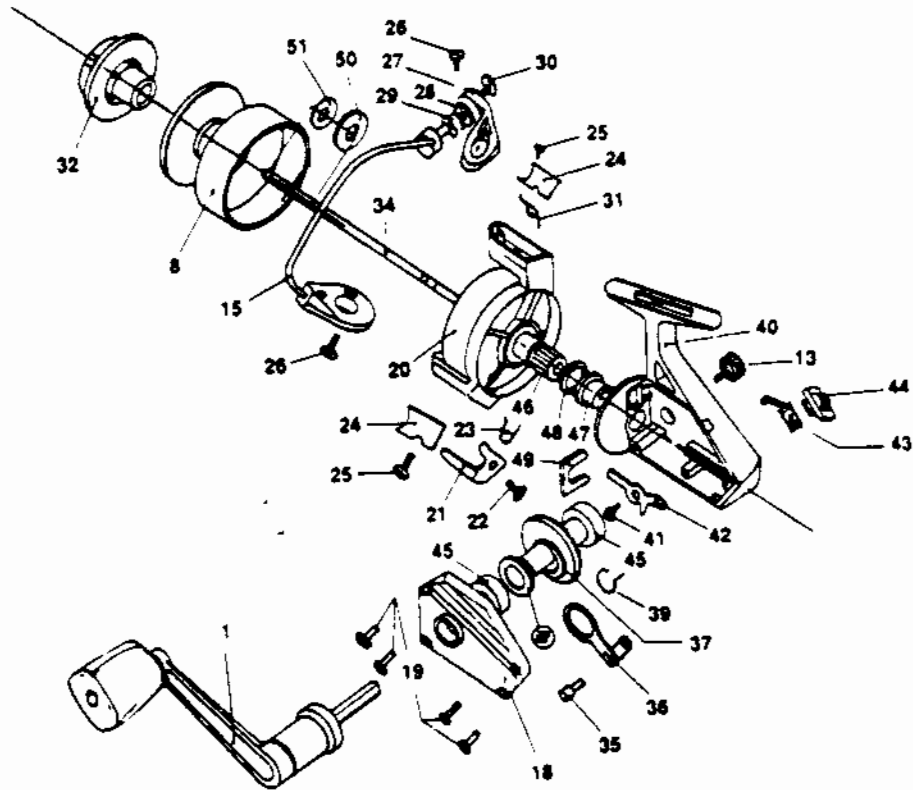


# ZEBCO® RX60



Key No.	Part No.	Description
1	KK318-1	HANDLE ASSY.
8	KK321-1	SPOOL
13	JK073	HANDLE SCREW CAP
15	KK347	BAIL ASSY.
18	KK323-1	SIDE PLATE
19	JK057	SIDE PLATE SCREW
20	KK009-1	ROTOR
21	KK019	STOP LEVER
22	KK037	STOP LEVER SCREW
23	KK047-1	STOP LEVER SPRGIN
24	KK087-1	ROTOR COVER
25	KK085	ROTOR COVER SCREW
26	KK051	ANGLE LEVER SCREW
27	KK007-1	ANGLE LEVER
28	KK016-1	LINE ROLLER WASHER
29	JK004-1	LINE ROLLER
30	JK108-1	LINE ROLLER SCREW
31	KK049	TURNING SPRING
34	KK315-1	MAIN SHAFT ASSY.
35	KK084	OSCILLATOR SLIDER PIN
36	KK025-1	OSCILLATOR SLIDER ARM
37	KK012-1	DRIVE GEAR
38	JK026	DRIVE GEAR WASHER
39	KK213	DRIVE GEAR SPRING
40	KK301-1	BODY ASSY
41	KK089	ANTI-REVERSE PAWL SCREW

WWW.REELDR.COM

Key No.	Part No.	Description
42	KK063-1	ANTI-REVERSE PAWL
43	JK090-1	ANTI-REVERSE SPRING
44	JK059	ANTI-REVERSE LEVER
45	JK013	SIDE PLATE BUSHING
46	KK011-1	PINION GEAR
47	KK126	PINION GEAR BUSHING
48	KK010	PINION GEAR WASHER
49	KK125	ROTOR HOLDING PLATE
50	KK161-1	CLICK
51	KK162	CLICK WASHER

Prices subject to change without notice. Prices do not include postage and handling.

**PLEASE ORDER BY PART NUMBER**

Rev. 5/93

Zebco Division Brunswick Corporation, Box 270, Tulsa, OK 74101 USA 918-836-5581

