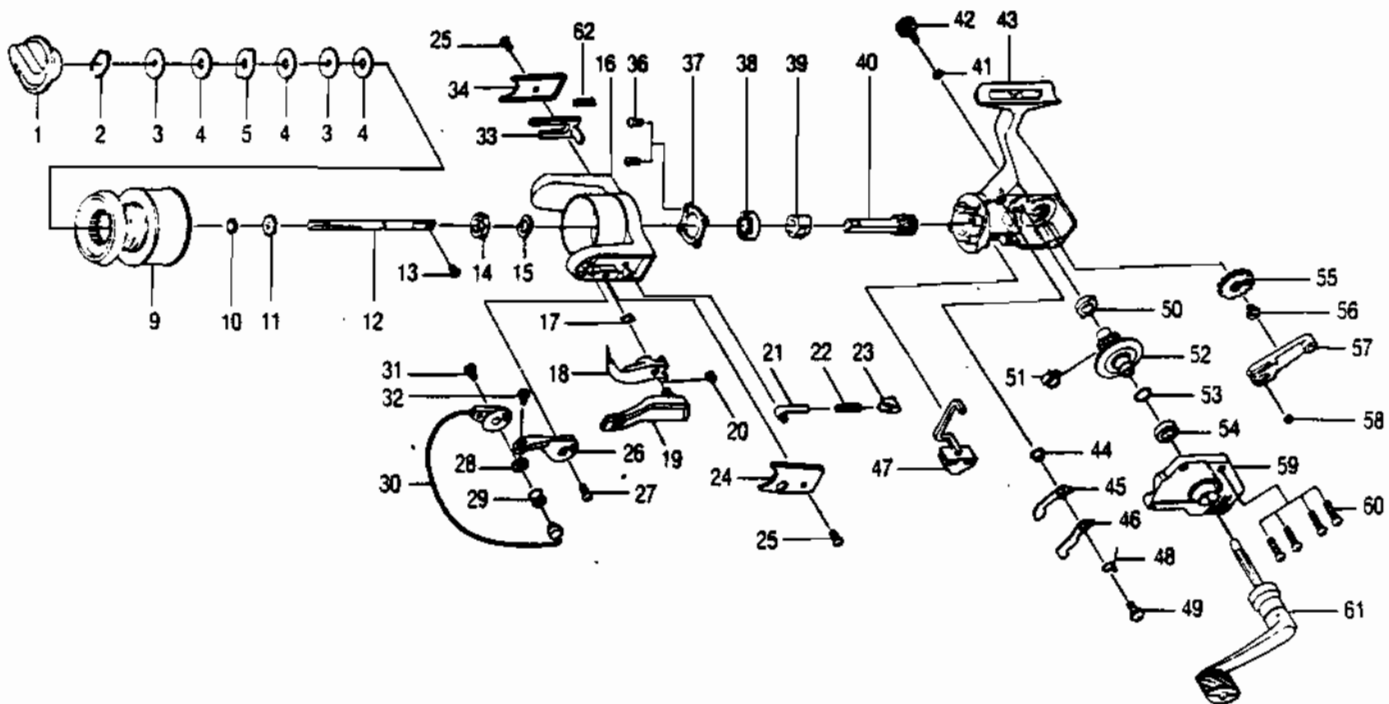


# QUANTUM SLX4



## KEY PART NO. NO.

KEY PART NO. NO.	DESCRIPTION
1 GQ332	DRAG KNOB ASBY.
2 CQ038	DRAG RETAINER
3 CQ030	SPOOL WASHER 'C'
4 CQ033	SPOOL WASHER 'A'
5 CQ029	SPOOL WASHER 'B'
9 GQ321	SPOOL ASBY.
10 CQ030	SPOOL ADJ. WASHER
11 CQ037	SPOOL CLICK CLAM
12 CQ015	MAIN SHAFT
13 CQ100	MAIN SHAFT SCREW
14 UL008	ROTOR NUT
15 UL065	ROTOR RETAINER WASHER
16 GQ009	ROTOR
17 NL098	TRIP LINK SPRING
18 PL097	TRIP LINK
19 CQ115	TRIP LEVER
20 NL034	E-CLIP
21 QL031	SPRING SHAFT
22 QL022	BAIL SPRING
23 QL020	SPRING HOLDER
24 GQ087	BAIL SPRING COVER
25 AQ085	ROTOR COVER SCREW
26 CQ007	ARM LEVER
27 AQ051	ARM LEVER SCREW
28 PL017	BAIL COLLAR
29 PL004	LINE ROLLER
30 CQ347	BAIL ASBY.
31 AQ044	BAIL HOLDER SCREW
32 AQ108	BAIL SCREW
33 CQ019	KICK LEVER

## KEY PART NO. NO.

KEY PART NO. NO.	DESCRIPTION
34 GQ024	KICK LEVER COVER
36 AQ080	BEARING PLATE SCREW
37 QL040	BEARING PLATE
38 CQ028	B/BEARING - ROTOR
39 CQ060	RATCHET GEAR
40 GQ011	PINION GEAR
41 BQ105	HANDLE CAP WASHER
42 QL073	HANDLE SCREW CAP
43 GQ001	BODY
44 NL091	STOPPER BUSHING
45 QL064	STOPPER 'A'
46 QL063	STOPPER 'B'
47 CQ059	STOPPER LEVER
48 CQ061	STOPPER L/R SPRING
49 CQ083	STOPPER SCREW
50 GQ013	BODY BUSHING
51 CQ086	SLIDING SPRING
52 GQ012	DRIVE GEAR
53 AQ026	DRIVE GEAR ADJ. WASHER
54 AL013	BODY BUSHING
55 CQ033	BODY BEARING - ROTOR
56 WQ078	O/S. GEAR SCREW
57 CQ028	O/S PIVOT ARM
58 AQ056	O/S PIVOT ARM WASHER
59 GQ023	BODY COVER
60 AQ057	BODY COVER SCREW
61 QL318	HANDLE ASBY.
62 YR049	KICK LEVER SPRING

[WWW.REELDR.COM](http://WWW.REELDR.COM)

Prices subject to change without notice. Prices do not include postage and handling.

**PLEASE ORDER BY PART NUMBER**

Rev. 11/90

Zebco Division Brunswick Corporation, Box 270, Tulsa, OK 74101 USA 918-836-6681

