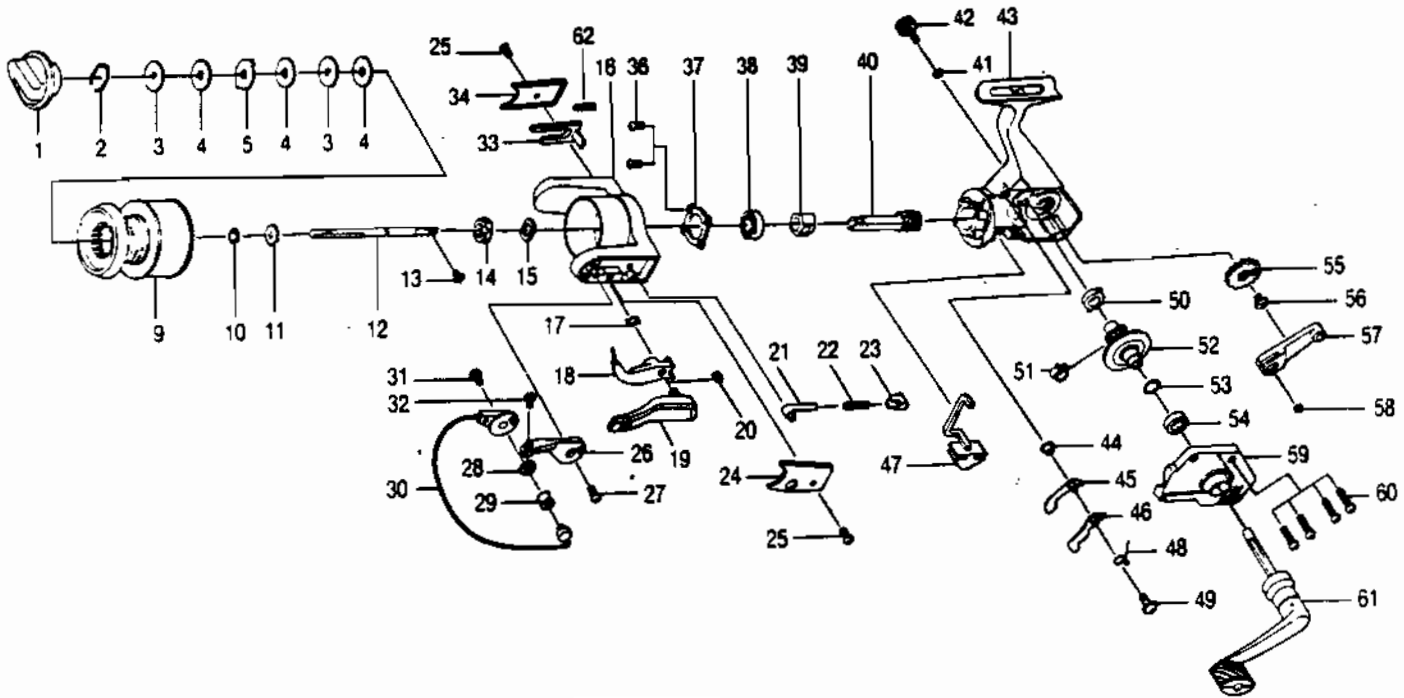


# QUANTUM® SLX3



**KEY PART NO. NO.**

1	FQ332	DRAG KNOB ASSY.
2	AQ038	DRAG RETAINER
3	AQ050	SPOOL WASHER 'C'
5	AQ029	SPOOL WASHER 'B'
9	FQ321	SPOOL ASSY.
10	BQ030	SPOOL ADJ. WASHER
11	BQ037	SPOOL CLICK CLAW
12	BQ015	MAIN SHAFT
13	AQ100	MAIN SHAFT SCREW
14	QL006	ROTOR NUT
15	QL065	ROTOR RETAINER WASHER
16	FQ009	ROTOR
17	NL096	TRIP LINK SPRING
18	PL097	TRIP LINK
19	PL115	TRIP LEVER
20	NL034	E-CLIP
21	QL031	SPRING SHAFT
22	QL022	BAIL SPRING
23	QL020	SPRING HOLDER
24	FQ087	BAIL SPRING COVER
25	AQ085	ROTOR COVER SCREW
26	PL007	ARM LEVER
27	AQ051	ARM LEVER SCREW
28	PL017	BAIL COLLAR
29	PL004	LINE ROLLER
30	BQ347	BAIL ASSY.
31	AQ044	BAIL HOLDER SCREW
32	AQ108	BAIL SCREW
33	YK019	KICK LEVER

**KEY PART NO. NO.**

34	FQ024	KICK LEVER COVER
36	AQ080	BEARING PLATE SCREW
37	QL040	BEARING PLATE
38	BQ028	B/BEARING - ROTOR
39	BQ060	RATCHET GEAR
40	FQ011	PINION GEAR
41	BQ105	HANDLE CAP WASHER
42	AL073	HANDLE SCREW
43	B3001	BODY
44	NL091	STOPPER BUSHING
45	BQ064	STOPPER 'A'
46	BQ063	STOPPER 'B'
47	BQ059	STOPPER LEVER
48	BQ061	STOPPER L/R SPRING
49	AQ083	STOPPER SCREW
50	AQ013	BODY BUSHING
51	AQ086	SLIDING SPRING
52	FQ012	DRIVE GEAR
53	AQ026	DRIVE GEAR ADJ. WASHER
54	AL013	BODY BUSHING
55	BQ053	O/S GEAR
56	WK078	OSC. GEAR SCREW
57	BQ025	O/S PIVOT ARM
58	AQ056	O/S PIVOT ARM WASHER
59	FQ023	BODY COVER
60	AQ057	BODY COVER SCREW
61	AL318	HANDLE ASSY.
62	YK049	KICK LEVER SPRING

[WWW.REELDR.COM](http://WWW.REELDR.COM)

Prices subject to change without notice. Prices do not include postage and handling.

**PLEASE ORDER BY PART NUMBER**

Rev. 11/90

Zebco Division Brunswick Corporation, Box 270, Tulsa, OK 74101 USA 918-836-5561

