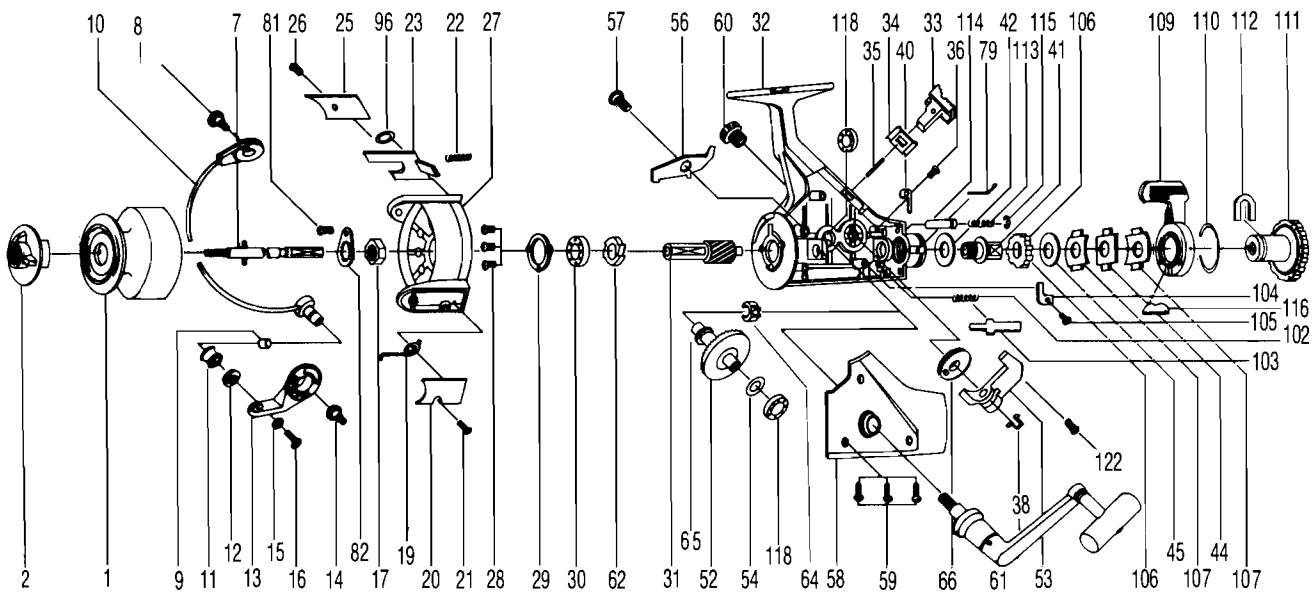


QUANTUM® QSS5



**KEY PART
NO. NO.**

NO. NO.	DESCRIPTION
1 SS321	SPOOL ASSY.
2 SS050	DRAG KNOB ASSY
7 SS315	MAIN SHAFT ASSY
8 SS048	BAIL HOLDER SCREW
9 SS016	LINE ROLLER BUSHING
10 SS347	BAIL ARM ASSY
11 SS004	LINE ROLLER
12 SS017	BAIL COLLAR
13 SS007	ARM LEVER
14 SS051	ARM LEVER SCREW
15 NB102	BAIL AXLE WASHER
16 RS108	BAIL SCREW
17 NB006	ROTOR NUT
19 SS022	BAIL SPRING
20 SS087	BAIL SPRING COVER
21 RS085	BAIL SPR. CVR. SCR.
22 SS049	KICK LEVER SPRING
23 SS019	KICK LEVER
25 SS024	KICK LEVER COVER
26 RS037	KICK LVR. CVR. SCR.
27 SS009	ROTOR
28 RS080	BEARING PLATE SCREW
29 SS040	BEARING PLATE
30 SS028	BALL BEARING
31 SS011	PINION GEAR
32 SS301	BODY ASSY
33 SS059	ANTI-REVERSE LEVER
34 SS090	A/R LEVER PLATE
35 NB091	A/R LEVER PIN
36 RS067	CLICK CLAW SCREW
38 SS083	OSC. SLDR. STOPPER
40 SS068	CLICK CLAW
41 SS104	SLIDER HOLDER
42 SS046	DRAG WASHER "C"
44 SS030	DRAG WASHER "A"

**KEY PART
NO. NO.**

NO. NO.	DESCRIPTION
45 SS039	DRAG WASHER "B"
52 SS012	DRIVE GEAR
53 SS025	OSCILLATING SLIDER
54 RS026	DRIVE GEAR ADJ. WASH
56 SS063	ANTI-REVERSE CLAW
57 SS089	A/R CLAW SCREW
58 SS323	BODY COVER ASSY
59 RS057	BODY COVER SCREW
60 RS073	HANDLE SCREW CAP
61 SS318	HANDLE ASSY
62 SS060	RATCHET GEAR
64 NB086	SLIDER SPRING
65 SS001	D/S GEAR PINION
66 SS053	OSCILLATING GEAR
79 RS005	BACK CLAW
81 SS058	ROTOR NUT LOCK SCREW
82 SS088	ROTOR NUT LOCK
96 RS137	B. BEARING CVR. WASH.
102 SS142	M/SHAFT STP. SPR.
103 SS143	M/SHAFT STOPPER
104 SS144	STOPPER PLATE
105 RS145	STOPPER PLATE SCR.
106 SS146	SLIDER HOLDER RAT.
107 SS147	DRAG SPR. WASH "A"
109 SS148	BAIT CLICK ACTUATOR
110 SS149	BAIT DRAG RING
111 SS150	BAIT CLICK DRAG KN.
112 SS151	BT/CLCK DRAG KN RET
113 SS152	BT/LCK SHAFT SPR.
114 SS153	BT/CLCK LCK SH SPR
115 SS154	E CLIP
116 SS155	BAIT INSERT
118 RS157	BALL BEARING
122 RS161	D/S STOPPER SCREW

WWW.REELDR.COM

Prices subject to change without notice. Prices do not include postage and handling.

PLEASE ORDER BY PART NUMBER

Rev. 9/88

Zebco Division Brunswick Corporation, Box 270, Tulsa, OK 74101 USA 918-836-5581

