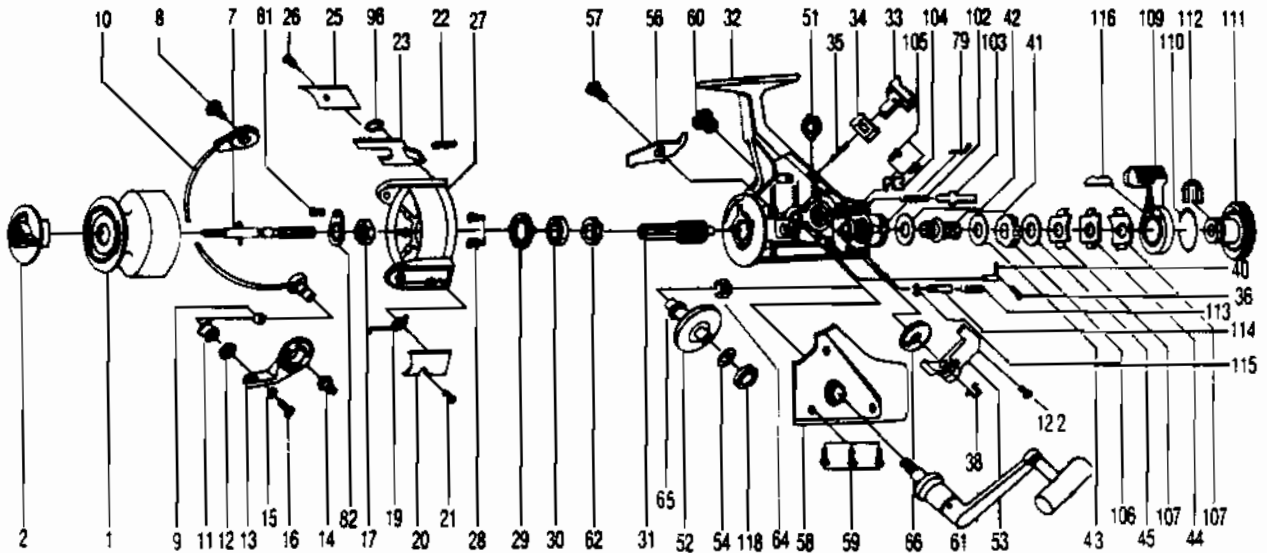


QUANTUM® QSS4



KEY PART

NO.	DESCRIPTION
1	RS321 SPOOL ASSY
2	RS050 DRAG KNOB ASSY
7	RS315 MAIN SHAFT ASSY
8	RS048 BAIL HOLDER SCREW
9	NS016 LINE ROLLER BUSHING
10	RS347 BAIL ARM ASSY
11	NS004 LINE ROLLER
12	RS017 BAIL COLLAR
13	RS007 ARM LEVER
14	RS051 ARM LEVER SCREW
15	NB102 BAIL AXLE WASHER
16	RS108 BAIL SCREW
17	RS006 ROTOR NUT
19	RS022 BAIL SPRING
20	RS087 BAIL SPRING COVER
21	RS085 BAIL SPR. CVR. SCR.
22	RS049 KICK LEVER SPRING
23	RS019 KICK LEVER
25	RS024 KICK LEVER COVER
26	RS037 KICK LVR. CVR. SCR.
27	RS009 ROTOR
28	RS080 BEARING PLATE SCREW
29	RS040 BEARING PLATE
30	RS028 BALL BEARING
31	RS011 PINION GEAR
32	RS301 BODY ASSY
33	RS059 ANTI-REVERSE LEVER
34	RS090 A/R LVR. PLATE SPR.
35	NB091 A/R LEVER PIN
36	RS067 CLICK CLAW SCREW
38	RS083 OSC. SLIDER STOPPER
40	RS068 CLICK CLAW
41	RS104 SLIDER HOLDER
42	RS046 DRAG WASHER "C"
43	RS047 DRAG WASHER "F"
44	RS030 DRAG WASHER "A"
45	RS039 DRAG WASHER "B"

KEY PART

NO.	DESCRIPTION
51	RS013 BODY/BODY COVER BUSH
52	RS012 DRIVE GEAR
53	RS025 OSCILLATING SLIDER
54	RS026 DRIVE GEAR ADJ. WASH
56	RS063 ANTI-REVERSE CLAW
57	RS089 A/R CLAW SCREW
58	RS323 BODY COVER ASSY
59	RS057 BODY COVER SCREW
60	RS073 HANDLE SCREW CAP
61	RS318 HANDLE ASSY
62	RS060 RATCHET GEAR
64	RS086 SLIDING SPRING
65	RS001 O/S GEAR PINION
66	RS053 OSCILLATING GEAR
79	RS005 BACK CLAW
81	RS058 ROTOR NUT LOCK SCR.
82	RS088 ROTOR NUT LOCK
96	RS137 B. BEARING CVR. WASH.
102	RS142 M/SHAFT STOPPER SPR
103	RS143 M/SHAFT STOPPER
104	RS144 STOPPER PLATE
105	RS145 STOPPER PLATE SCR.
106	RS146 SL/HOLDER RATCHET
107	RS147 DRAG SPR. WASHER A
109	RS148 BAIT CLICK ACTUATOR
110	RS149 BAIT DRAG RING
111	RS150 BAIT CLICK DRAG KN.
112	RS151 BT/CLK DRAG KN. RING
113	RS152 BT/CLK LOCK SH. SPR
114	RS153 BT/CLK LOCK SHAFT
115	RS154 "E" CLIP
116	RS155 BAIT INSERT
118	RS157 BALL BEARING
122	RS161 O/S STOPPER SCREW

WWW.REELDR.COM

Prices subject to change without notice. Prices do not include postage and handling.

PLEASE ORDER BY PART NUMBER

Rev. 11/90

Zebco Division Brunswick Corporation, Box 270, Tulsa, OK 74101 USA 918-838-5581

