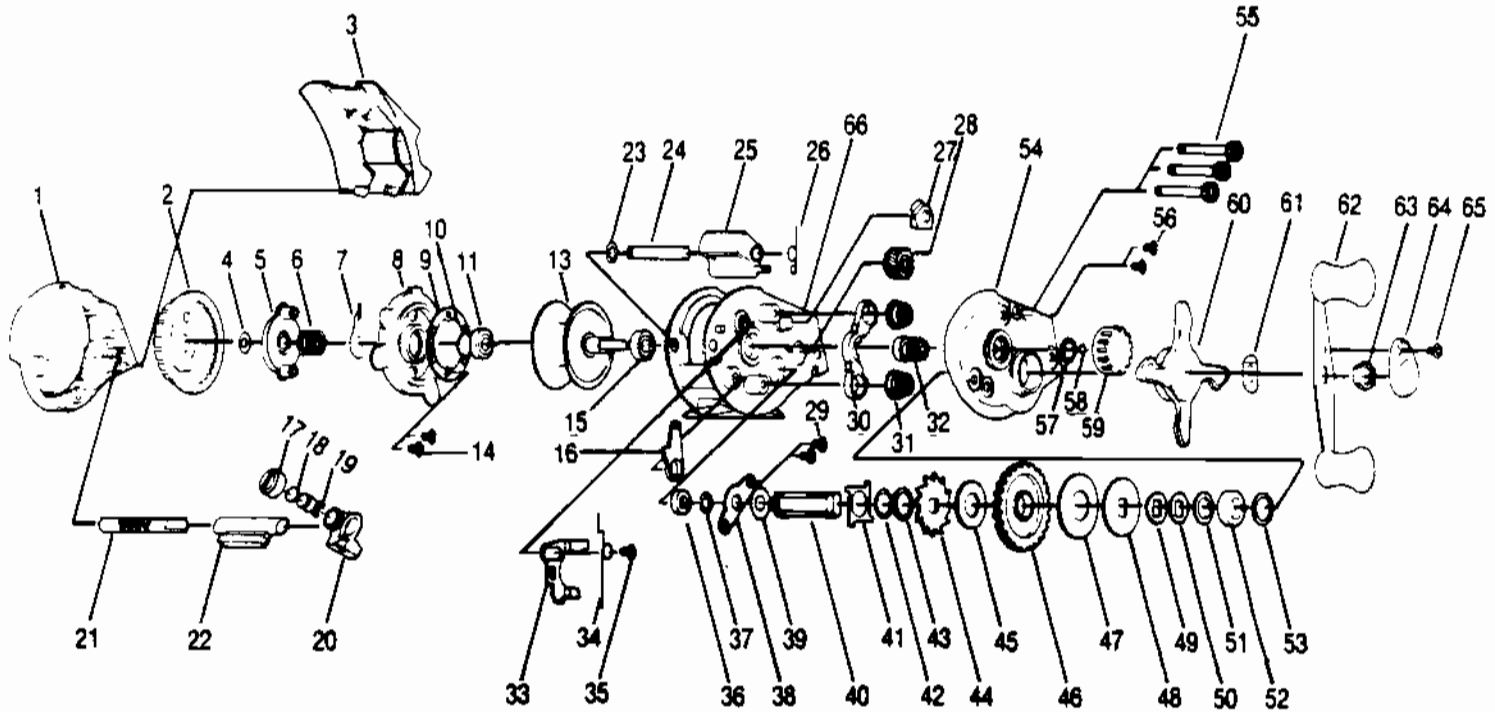


# QUANTUM QP200



[WWW.REELDR.COM](http://WWW.REELDR.COM)

KEY NO.	PART NO.	DESCRIPTION	KEY NO.	PART NO.	DESCRIPTION	KEY NO.	PART NO.	DESCRIPTION
1	WW023-2	Left Side Cover	24	WW050	Thumb Bar Pin	45	WW110	Drive Gear Washer
2	WW026	Magnet Control Dial	25	WW309	Thumb Bar Assy	46	WW012	Drive Gear
3	WW027-2	Hood	26	WW022	Thumb Bar Spring	47	WW059	Drag Disc
4	NX105	Dial Friction Ring	27	WW363	Anti-Reverse Pawl Assy	48	WW045	Drag Washer
5	WW028	Slide Cam	28	WW085	Level Wind Gear	49	QW046	Spring Washer "D"
6	NX071	Slide Cam Spring	29	WW107	Screw - Crank Shaft Retainer	50	QW046	Spring Washer "D"
7	WW108	Clicker	30	WW025	Pinion Yoke	51	WW035	Bearing Washer
8	WW051	Spool Cover	31	WW040	Spring - Pinion Yoke	52	WW058	Bearing
9	WW330	Magnet Plate Assy	32	WW311	Pinion Assy	53	WW035	Bearing Washer
10	WW082	Spool Tension Shim	33	WW039	Release Slider	54	WW024-2	Right Side Cover
11	WW017	Spool Shaft Bushing	34	WW109	Spring - Release Slider	55	WW374	Thumb Screw
13	WW321	Spool Assy	35	WW076	Screw - Release Slider	56	QW050	Screw - Side Cover
14	QW076	Screw - Magnet Ring	36	WW103	Crank Shaft Bushing	57	WW101	Tension Knob O-Ring
15	WW106	Bearing	37	QW120	E-Ring	58	WW032	Tension Knob Washer
16	WW084	Link	38	WW002	Retainer - Crankshaft	59	WW033	Tension Knob
17	QW007	Line Guide Carrier Screw	39	WW104	Crank Shaft Washer	60	WW055	Drag Star
18	QW035	Washer (L/E Pawl)	40	WW008	Crank Shaft	61	NX054	Handle Washer
19	WW006	Line Guide Pawl	41	GW083	Trip Ratchet	62	WW318	Handle Assy
20	WW347	Line Guide Carrier	42	WW105	Trip Ratchet Washer	63	QW003	Handle Nut
21	WW072	Worm Shaft	43	WW111	Ratchet Washer	64	QW034	Handle Nut Cap
22	WW016	Worm Shaft Guide	44	WW091	Anti-Reverse Ratchet	65	QW123	Handle Nut Screw
23	QW120	E-Ring				66	WW001	Frame

**PLEASE ORDER BY PART NUMBER**

Rev. 7/92

Zebco Division Brunswick Corporation, Box 270, Tulsa, OK 74101 USA 918-836-5581

