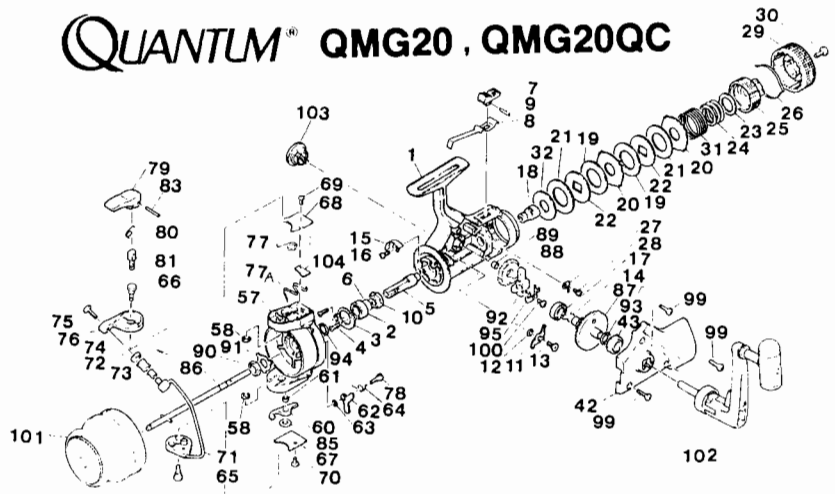


Key No.	Part No.	Description
1	Q31001G	Body Assembly
2	Q31002	Rotor Bearing
3	Q31003G	Bearing Retainer
4	Q00605	Bearing Retainer Screw
5	Q31004	Pinion Gear
6	Q31005	Pinion Sleeve QMG20
7	Q31006	Anti-Reverse Switch Knob
8	Q31007	Anti-Reverse Lever Spring
9	Q00308	Switch Knob Retaining Pin
10	Q31010	Anti-Reverse Ratchet QMG20
10	Q31010A	Anti-Reverse Ratchet QMG20QC
11	Q31011	Anti-Reverse Pawl
12	Q00210	Anti-Reverse Pawl Washer
13	Q31012	Anti-Reverse Pawl Screw
14	Q31013	Silent Anti-Reverse Spring
15	Q21015	Rotor Brake
16	Q00608	Rotor Brake Screw
17	Q31030G	Bushing on Main Housing
18	Q31101	Drag Shaft
19	Q31102	Fiber Drag Washer
20	Q31104	Keyed Drag Washer
21	Q31105	Teflon Drag Washer
22	Q31106	Shaft Drag Washer
23	Q31108	Drag Spring Washer
24	Q31109	Main Drag Spring
25	Q31110	Drag Screw
26	Q31112	Drag Knob Retainer
27	Q11115	Click Pawl
28	Q00604	Click Pawl Screw
29	Q31117	Drag Knob
30	Q00606	Drag Knob Screw
31	Q31118	Drag Retainer Spring
32	Q31119	Front Drag Washer
42	Q33001G	Side Plate
43	Q31016G	Bushing on Side Plate
57	Q35001G	Rotor QMG20
57	Q35001AG	Rotor QMG20QC
58	Q00407	Rotor Pin Clip (A) QMG20
58	Q00406	Rotor Pin Clip (A) QMG20QC
59	Q00407	Rotor Pin Retainer (B)
60	Q35003	Bail Trip Lever (A)
61	Q35029G	Bail Trip Lever (A) Sleeve

Key No.	Part No.	Description
62	Q35004	Bail Trip Lever (B)
63	Q00211	Bail Trip Lever (B) Washer
64	Q75005	Bail Trip Lever Spring
65	Q35007G	Bail Bracket Pin
66	Q35006G	Bail Hinge Pin QMG20
67	Q35010	Rotor Cover (A)
68	Q35011	Rotor Cover (B)
69	Q00603	Rotor Cover Screw (A)
70	Q00603	Rotor Cover Screw (B)
71	Q35012G	Bail Assembly QMG20
71	Q35012AG	Bail Assembly QMG20QC
72	Q35014	Line Roller
73	Q35019G	Line Roller Sleeve
74	Q35015	Line Roller Bushing
75	Q00103G	Line Roller Screw
76	Q35016	Bail Hinge QMG20
76	Q35016A	Bail Hinge QMG20QC
77	Q35017	Bail Tension Spring QMG20
77A	Q35017A	Bail Tension Spring QMG20QC
78	Q75018	Bail Trip Lever (B) Screw
79	Q35023A	Trigger QMG20QC
80	Q35024A	Trigger Spring QMG20QC
81	Q35025A	Trigger Shaft QMG20QC
82	Q35026A	Bail Hinge Sleeve QMG20QC
83	Q30307A	Trigger Pin QMG20QC
84	Q00601A	Trigger Shaft Retainer QMG20QC
85	Q35027	Bail Trip Lever (A) Washer
86	Q37001	Center Shaft Assembly
87	Q38001G	Crank Gear
88	Q38002	Oscillator Gear
89	Q38016G	Oscillator Gear Sleeve
90	Q38005	Rotor Nut
91	Q35028	Rotor Nut Washer
92	Q38006	Oscillator Slide Block
93	Q38009	Crank Gear Washer
94	Q38009	Rotor Washer
95	Q38014	Oscillator Block Retainer
99	Q01113	Side Plate Screw
100	Q00105	Oscillator Block Screw
101	Q34000G	Spool Assembly
102	Q32000G	Handle Assembly
103	Q38000G	Handle Screw Assembly
104	Q3505WA	Spacer Plate Washer QMG20

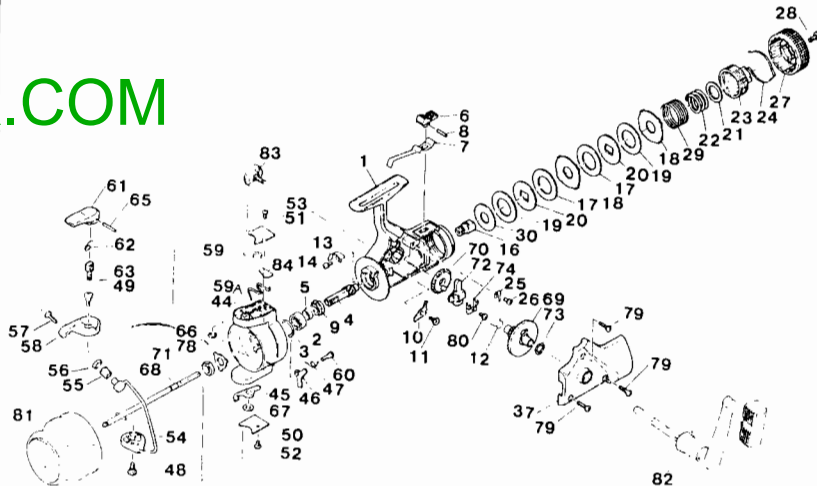
# QUANTUM<sup>®</sup> QMG20, QMG20QC



# QUANTUM<sup>®</sup> QMD10, QMD10QC

Key No.	Part No.	Description
1	Q41001	Body Assembly
2	Q31002	Rotor Bearing
3	Q00401	Bearing Retainer
4	Q31004	Pinion Gear
5	Q31005	Pinion Sleeve QMD10
6	Q31006	Anti-Reverse Switch Knob
7	Q41007	Anti-Reverse Lever Spring
8	Q00308	Switch Knob Retaining Pin
9	Q31010	Anti-Reverse Ratchet QMD10
10	Q31010A	Anti-Reverse Ratchet QMD10QC
11	Q31011	Anti-Reverse Pawl
12	Q31013	Silent Anti-Reverse Spring
13	Q21015	Rotor Brake
14	Q00108	Rotor Brake Screw
16	Q31101	Drag Shaft
17	Q41102	Fiber Drag Washer
18	Q41104	Keyed Drag Washer
19	Q41105	Teflon Drag Washer
20	Q41106	Shaft Drag Washer
21	Q41108	Drag Spring Washer
22	Q41109	Main Drag Spring
23	Q41110	Drag Screw
24	Q41112	Drag Knob Retainer
25	Q11115	Click Pawl
26	Q00108	Click Pawl Screw
27	Q41117	Drag Knob
28	Q00123	Drag Knob Screw
29	Q41118	Drag Retainer Spring
30	Q41119	Front Drag Washer
37	Q43001	Side Plate
44	Q45001	Rotor QMD10
44	Q45001A	Rotor QMD10QC
45	Q45003	Bail Trip Lever (A)
46	Q45004	Bail Trip Lever (B)
47	Q75005	Trip Lever Spring

Key No.	Part No.	Description
48	Q15006	Bail Bracket Screw
49	Q35007	Bail Hinge Screw
50	Q45010	Rotor Cover (A)
51	Q45011	Rotor Cover (B)
52	Q00105	Rotor Cover Screw (A)
53	Q00117	Rotor Cover Screw (B)
54	Q45012	Bail Assembly QMD10
54	Q45012A	Bail Assembly QMD10QC
55	Q35014	Line Roller
56	Q35015	Line Roller Bushing
57	Q00104	Line Roller Screw
58	Q45016	Bail Hinge QMD10
58	Q45016A	Bail Hinge QMD10QC
59	Q45017	Bail Tension Spring QMD10
59A	Q45017A	Bail Tension Spring QMD10QC
60	Q75018	Bail Trip Lever (B) Screw
61	Q45023A	Trigger QMD10QC
62	Q45024A	Trigger Spring QMD10QC
63	Q35025A	Trigger Shaft QMD10QC
64	Q35026A	Bail Hinge Sleeve QMD10QC
65	Q30307A	Trigger Pin QMD10QC
66	Q00601A	Trigger Shaft Retainer QMD10QC
67	Q35027	Bail Trip Lever (A) Washer
68	Q47001	Center Shaft Assembly
69	Q38001	Crank Gear
70	Q48002	Oscillator Gear
71	Q38005	Rotor Nut
72	Q38006	Oscillator Slide Block
73	Q38009	Crank Gear Washer
74	Q38014	Oscillator Block Retainer
78	Q38016	Rotor Nut Washer
79	Q01113	Side Plate Screw
80	Q00105	Oscillator Block Screw
81	Q44000	Spool Assembly
82	Q42000	Handle Assembly
83	Q38000	Handle Screw Assembly
84	Q4505WA	Spacer Plate Washer QMD10QC



WWW.REELDR.COM