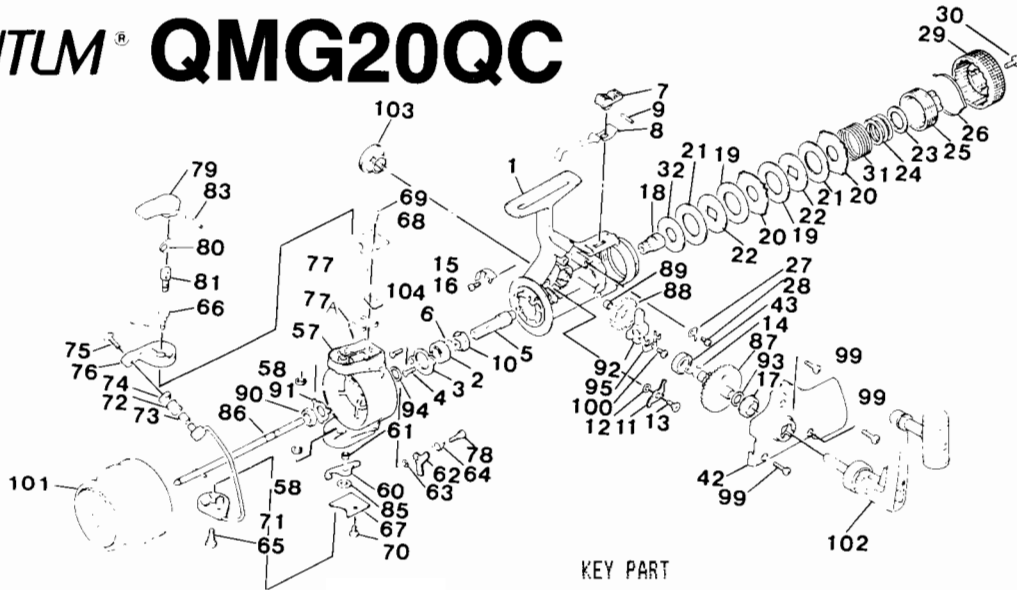


QUANTUM[®] QMG20QC



KEY PART

NO. NO.

DESCRIPTION

1	Q310016	BODY ASSY
2	Q31002	ROTOR BEARING
3	Q310036	BEARING RETAINER
4	Q00605	BEARING RETAINER SCRW
5	Q31004	PINION GEAR
7	Q31006	ANTI-REV SWITCH KNDB
8	Q31007	ANTI-REV LEVER SPR
9	Q00308	SWITCH KNDB RETAN.PIN
10	Q31010A	ANTI-REV. RATCHET
11	Q31011	ANTI-REVERSE PAWL
12	Q00210	ANTI-REVR. PAWL WSHR
13	Q31012	ANTI-REV. PAWL SCREW
14	Q31013	SILENT ANTI-REV SPRING
15	Q21015	ROTOR BRAKE
16	Q00608	ROTOR BRAKE SCREW
17	Q310306	BEARING ON SIDE PLATE
18	Q31101	DRAG SHAFT
19	Q31102	FIBER DRAG WASHER
20	Q31104	EARED DRAG WASHER
21	Q31105	TEFLON DRAG WASHER
22	Q31106	SHAFT DRAG WASHER
23	Q31108	DRAG SPRING WASHER
24	Q31109	MAIN DRAG SPRING
25	Q31110	DRAG SCREW
26	Q31112	DRAG KNDB REATINER
27	Q11115	CLICK PAWL
28	Q00604	CLICK PAWL SCREW
29	Q31117	DRAG KNDB
30	Q00606	DRAG KNDB SCREW
31	Q31118	DRAG RETAINER SPRING
32	Q31119	FRONT DRAG WASHER
42	Q330016	SIDE PLT
43	Q310166	MAIN HOUSING BUSHING
57	Q35001A6	ROTOR
58	Q00406	ROTOR PIN CLIP (A)
59	Q00407	RTR. PIN CLP A,B
60	Q35003	TRIP LEVER A
61	Q350296	TRIP LEVER A SLEEVE
62	Q35004	TRIP LEVER B

KEY PART

NO. NO.

DESCRIPTION

63	Q00211	TRIP LEVER B WSHR
64	Q75005	TRIP LEVER SPRING
65	Q350076	BAIL BRACKET PIN
66	Q350066	BAIL HINGE PIN
67	Q35010	ROTOR COVER A
68	Q35011	ROTOR COVER B
69	Q00603	RTR. CVR. SCRW.A&B
70	Q00603	RTR. CVR. SCRW.A&B
71	Q35012A6	BAIL ASSY
72	Q35014	LINE ROLLER
73	Q350196	LINE ROLLER SLEEVE
74	Q35015	LINE ROLLER BUSHING
75	Q001036	LINE ROLLER SCREW
76	Q35016A	BAIL HINGE QMD20QC
77A	Q35017A	BAIL TENSION SPRING
78	Q75018	TRIP LEVER B SCREW
79	Q35023A	TRIGGER
80	Q35024A	TRIGGER SPRING
81	Q35025A	TRIGGER SHAFT
82	Q35026A	BAIL HINGE SLEEVE
83	Q30307A	TRIGGER PIN
84	Q00601A	TRIGGER SHAFT RETAINER
85	Q35027	TRIP LEVER A WASHER
86	Q37001	CENTER SHAFT ASSY
87	Q380016	CRANK GEAR G20
88	Q38002	OSCILLATOR GEAR
89	Q380166	OSCILLATOR GEAR SLEEVE
90	Q38005	ROTOR NUT
91	Q35028	ROTOR NUT WASHER
92	Q38006	OSCILLATOR SLIDE BLOCK
93	Q38009	ROTOR/CRANK GEAR WSHR
94	Q38009	ROTOR/CRANK GEAR WSHR
95	Q38014	OSC BLOCK RETAINER
99	Q01113	SIDE PLATE SCREW
100	Q00105	ROTOR CVR OSC. SCREW A
101	Q340006	SPOOL ASSY
102	Q320006	HANDL ASSY
103	Q380006	HNDLE SCREW COVER
104	Q3505WA	SPACER PLATE

WWW.REELDR.COM

Prices subject to change without notice. Prices do not include postage and handling.

PLEASE ORDER BY PART NUMBER

Rev. 9/88

Zebco Division Brunswick Corporation, Box 270, Tulsa, OK 74101 USA 918-836-5581

