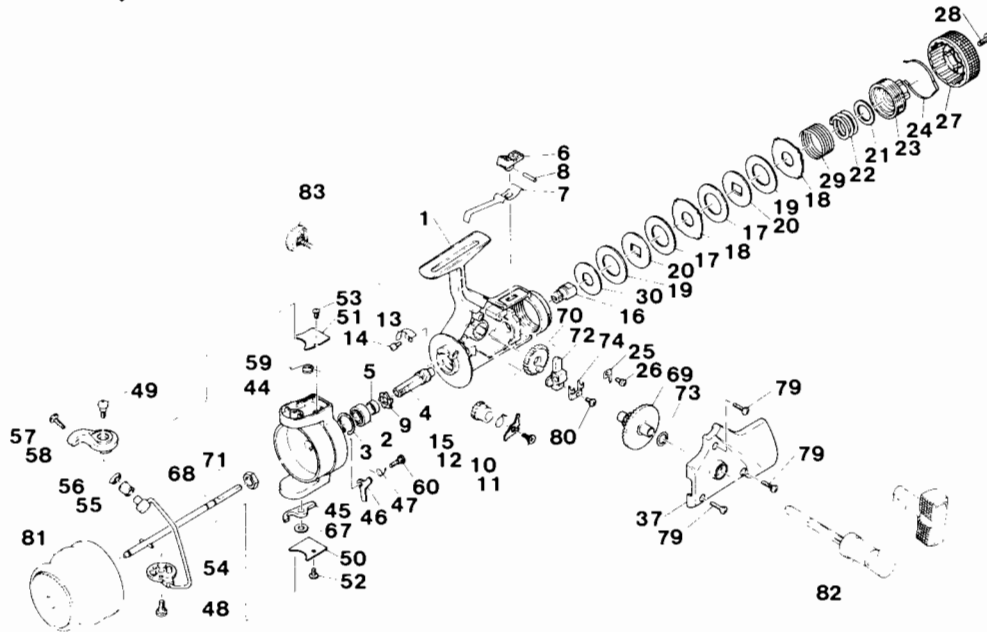


QUANTUM® QMD70



KEY PART

NO. NO.	DESCRIPTION
1 Q11001	BODY ASSY
2 Q11002	ROTOR BEARING
3 Q00403	BEARING RETAINER
4 Q11004	PINION GEAR
5 Q11005	PINION SLEEVE
6 Q11006	ANTI-REV SWITCH KNOB
7 Q11007	ANTI-REV LEVER SPRING
8 Q00308	SWITCH KNOB RETAN.PIN
9 Q11010	ANTI-REV RATCHET
10 Q11011	ANTI-REVERSE PAWL
11 Q71012	ANTI-REVERSE PAWL SCR
12 Q11013	SILENT ANTI-REV SPRING
13 Q21015	ROTOR BRAKE
14 Q00108	SCREW
16 Q11101	DRAG SHAFT
17 Q11102	FIBER DRAG WASHER
18 Q11104	EARED DRAG WASHER
19 Q11105	TEFLON DRAG WASHER
20 Q11106	SHAFT DRAG WASHER
21 Q11108	DRAG SPRING WASHER
22 Q11109	MAIN DRAG SPRING
23 Q11110	DRAG SCREW D50
24 Q11112	DRAG KNOB RETAINER
25 Q11115	CLICK PAWL
26 Q00108	SCREW
27 Q11117	DRAG KNOB
28 Q00123	DRAG KNOB SCREW
29 Q11118	DRAG RETAINER SPR
30 Q11119	FRONT DRAG WASHER
37 Q13001	SIDE PLATE

KEY PART

NO. NO.	DESCRIPTION
44 Q75001	ROTOR
45 Q75003	BAIL TRIP LEVER (A)
46 Q75004	BAIL TRIP LEVER (B)
47 Q75005	TRIP LEVER SPRING
48 Q15006	BAIL BRACKET SCR
49 Q15006	BAIL BRACKET SCR
50 Q75010	ROTOR COVER (A)
51 Q75011	ROTOR COVER
52 Q00114	ROTOR CVR SCREW
53 Q00114	ROTOR CVR SCREW
54 Q75012	BAIL WIRE ASSY.
55 Q75014	LINE ROLLER
56 Q15015	LINE ROLLER BUSHING
57 Q00101	LINE ROLLER SCREW
58 Q75016	BAIL HINGE
59 Q75017	BAIL TENSION SPRING
60 Q75018	TRIP LEVER B SCREW
67 Q35027	TRIP LEVER A WASHER
68 Q77001	CENTER SHAFT ASSY
69 Q47001	CENTER SHAFT ASSY
70 Q18002	OSCILLATOR GEAR
71 Q18005	ROTOR NUT
72 Q18006	OSCILLATOR SLIDE BLOCK
73 Q18009	CRANK GEAR WASHER
74 Q18014	OSCILLATOR BLOCK RET
79 Q01112	SIDE PLATE SCREW
80 Q00105	ROTOR CVR OSC. SCREW A
81 Q74000	SPOOL ASSEMBLY N
82 Q72000	HANDLE ASSY
83 Q18000	HANDLE SCREW ASSY

WWW.REELDR.COM

Prices subject to change without notice. Prices do not include postage and handling.

PLEASE ORDER BY PART NUMBER

Rev. 9/88

Zebco Division Brunswick Corporation, Box 270, Tulsa, OK 74101 USA 918-836-5581

