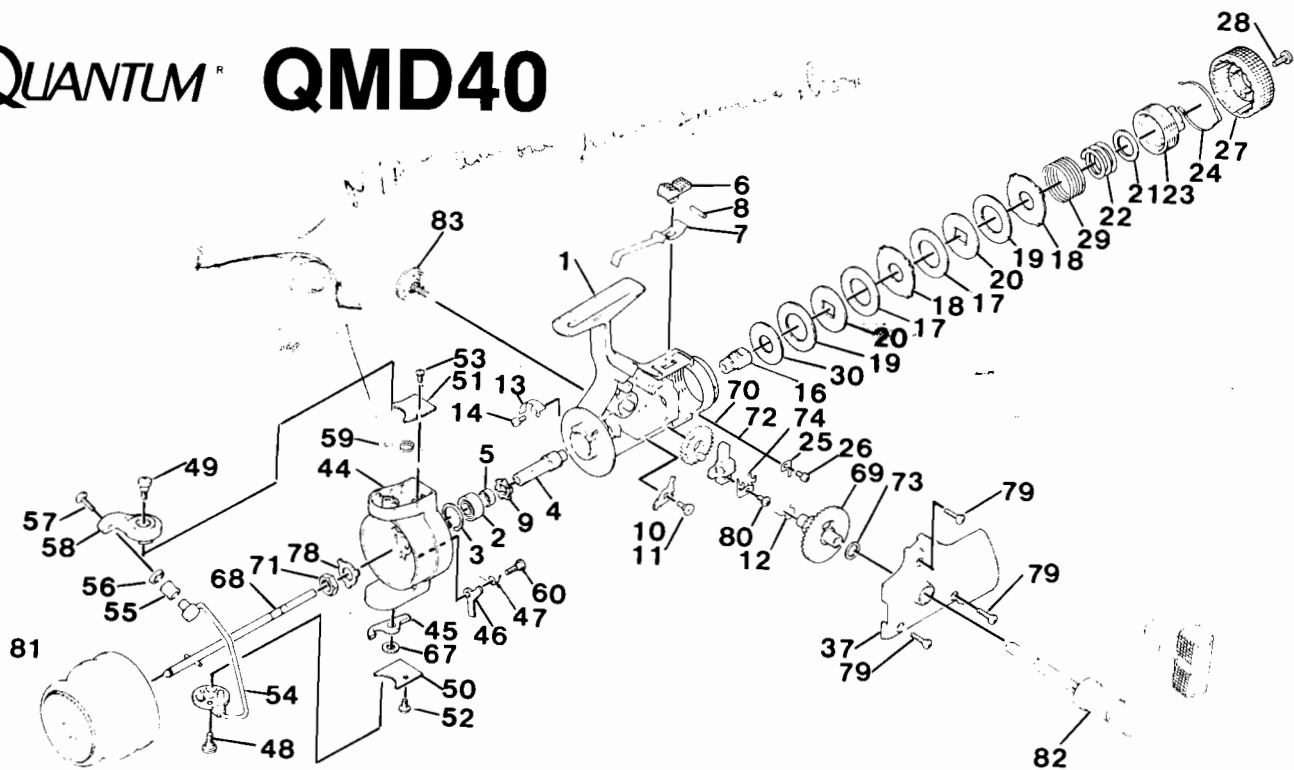


QUANTUM[®] QMD40



KEY PART
NO. NO.

NO. NO.	DESCRIPTION
1 Q31001	BODY ASSY
2 Q31002	ROTOR BEARING
3 Q00401	BEARING RETAINER
4 Q31004	PINION GEAR
5 Q31005	PINION SLEEVE
6 Q31006	ANTI-REV SWITCH KNOB
7 Q31007	ANTI-REV LEVER SPR
8 Q00308	SWITCH KNOB RETAN.PIN
9 Q31010	ANTI-REV RATCHET
10 Q31011	ANTI-REVERSE PAWL
11 Q31012	ANTI-REV. PAWL SCREW
12 Q31013	SILENT ANTI-REV SPRING
13 Q21015	ROTOR BRAKE
14 Q00108	SCREW
16 Q31101	DRAG SHAFT
17 Q31102	FIBER DRAG WASHER
18 Q31104	EARED DRAG WASHER
19 Q31105	TEFLON DRAG WASHER
20 Q31106	SHAFT DRAG WASHER
21 Q31108	DRAG SPRING WASHER
22 Q31109	MAIN DRAG SPRING
23 Q31110	DRAG SCREW
24 Q31112	DRAG KNOB REATINER
25 Q11115	CLICK PAWL
26 Q00108	SCREW
27 Q31117	DRAG KNOB
28 Q00123	DRAG KNOB SCREW
29 Q31118	DRAG RETAINER SPRING
30 Q31119	FRONT DRAG WASHER
37 Q23001	SIDE PLATE
44 Q25001	ROTOR

KEY PART
NO. NO.

NO. NO.	DESCRIPTION
45 Q25003	BAIL TRIP LEVER (A)
46 Q25004	BAIL TRIP LEVER (B)
47 Q75005	TRIP LEVER SPRING
48 Q35007	BAIL BRACKET SCREW
49 Q35007	BAIL BRACKET SCREW
50 Q25010	ROTOR COVER (A)
51 Q25011	ROTOR COVER (B)
52 Q00105	ROTOR CVR OSC. SCREW A
53 Q00117	ROTOR COVER SCREW B
54 Q25012	BAIL ASSEMBLY
55 Q25014	LINE ROLLER
56 Q25015	LINE ROLLER COVER
57 Q00102	LINE ROLLER SCREW
58 Q25016	BAIL HING
59 Q25017	BAIL TENSION SPRING
60 Q75018	TRIP LEVER B SCREW
67 Q35027	TRIP LEVER A WASHER
68 Q27001	MAIN SHAFT ASSY
69 Q38001	CRANK GEAR
70 Q28002	OSCILLATOR GEAR
71 Q38005	ROTOR NUT
72 Q38006	OSCILLATOR SLIDE BLOCK
73 Q38009	ROTOR/CRANK GEAR WSHR
74 Q38014	OSC BLOCK RETAINER
78 Q38016	ROTOR NUT WASHER
79 Q01113	SIDE PLATE SCREW
80 Q00105	ROTOR CVR OSC. SCREW A
81 Q24000	SPOOL ASSEMBLY
82 Q22000	HANDLE ASSY
83 Q38000	HANDLE SCREW ASSY

WWW.REELDR.COM

Prices subject to change without notice. Prices do not include postage and handling.

PLEASE ORDER BY PART NUMBER

Rev. 9/88

Zebco Division Brunswick Corporation, Box 270, Tulsa, OK 74101 USA 918-836-5581

