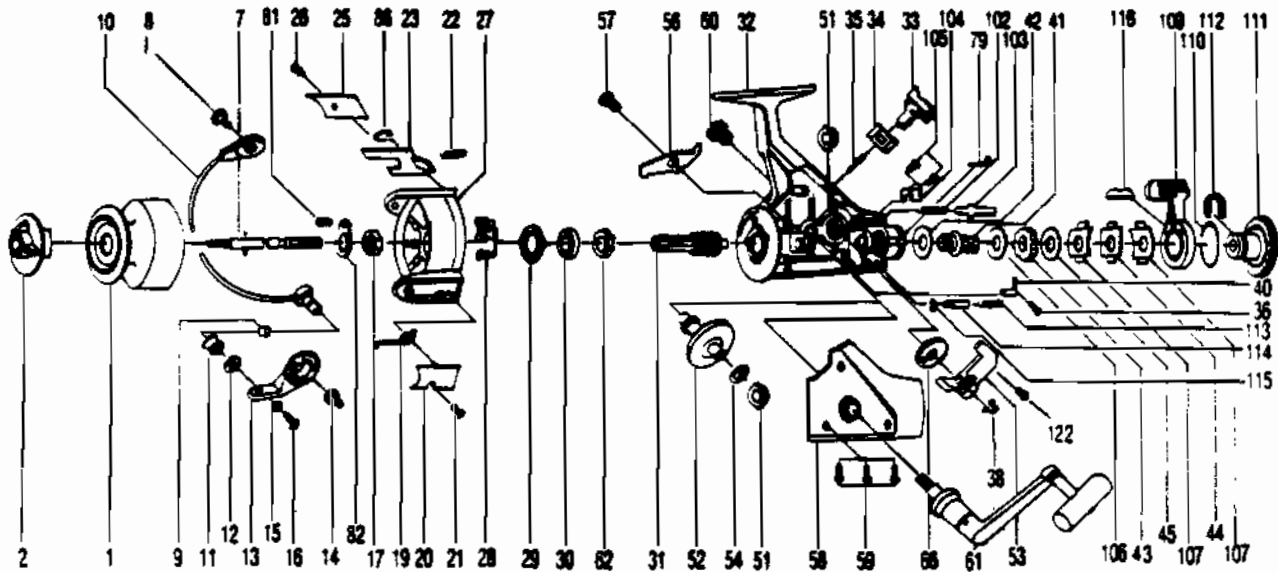


QUANTUM QMD25



KEY PART NO. NO.

KEY PART NO. NO.	DESCRIPTION
1 YO321	SPOOL ASSY
2 YO050	DRAG KNOB ASSY
7 YO315	MAIN SHAFT ASSY
8 RS048	BAIL HOLDER SCREW
9 NS016	LINE ROLLER BUSHING
10 RS347	BAIL ARM ASSY
11 NS004	LINE ROLLER
12 RS017	BAIL COLLAR
13 RS007	ARM LEVER
14 RS051	ARM LEVER SCREW
15 NB102	BAIL AXLE WASHER
16 RS108	BAIL SCREW
17 RS006	ROTOR NUT
19 RS022	BAIL SPRING
20 YO087	BAIL SPRING COVER
21 RS085	BAIL SPR. CVR. SCR.
22 RS049	KICK LEVER SPRING
23 RS019	KICK LEVER
25 RS024	KICK LEVER COVER
26 RS037	KICK LVR. CVR. SCR.
27 RS009	ROTOR
28 RS080	BEARING PLATE SCREW
29 RS040	BEARING PLATE
30 RS028	BALL BEARING
31 YO011	PINION GEAR
32 YO301	BODY ASSY
33 RS059	ANTI-REVERSE LEVER
34 RS090	A/R LVR. PLATE SPR.
35 NB091	A/R LEVER PIN
36 RS067	CLICK CLAW SCREW
38 RS083	OSC. SLIDER STOPPER
40 RS068	CLICK CLAW
41 RS104	SLIDER HOLDER
42 RS046	DRAG WASHER "C"
43 RS047	DRAG WASHER "F"

KEY PART NO. NO.

KEY PART NO. NO.	DESCRIPTION
44 RS030	DRAG WASHER "A"
45 RS039	DRAG WASHER "B"
51 RS013	BODY/BODY COVER BUSH
52 YO012	DRIVE GEAR
53 RS025	OSCILLATING SLIDER
54 RS026	DRIVE GEAR ADJ. WASH
56 RS063	ANTI-REVERSE CLAW
57 RS089	A/R CLAW SCREW
58 YO323	BODY COVER ASSY
59 RS057	BODY COVER SCREW
60 YO073	HANDLE SCREW CAP
61 YO318	HANDLE ASSY
62 RS060	RATCHET GEAR
64 RS046	DRAG WASHER "C"
65 RS086	SLIDING SPRING
66 YO053	OSCILLATING GEAR
79 RS005	BACK CLAW
81 RS058	ROTOR NUT LOCK SCR.
82 RS088	ROTOR NUT LOCK
102 RS142	M/SHAFT STOPPER SPR
103 RS143	M/SHAFT STOPPER
104 RS144	STOPPER PLATE
105 RS145	STOPPER PLATE SCR.
106 RS146	SL/HOLDER RATCHET
107 RS147	DRAG SPR. WASHER A
109 YO148	BAIT CLICK ACTUATOR
110 RS149	BAIT DRAG RING
111 YO150	BAIT CLICK DRAG KN
112 RS151	BT/CLK DRAG KN.RING
113 RS152	BT/CLK LOCK SH. SPR
114 RS153	BT/CLK LOCK SHAFT
115 RS154	"E" CLIP
116 RS155	BAIT INSERT
122 RS161	O/S STOPPER SCREW

WWW.REELDR.COM

Prices subject to change without notice. Prices do not include postage and handling.

PLEASE ORDER BY PART NUMBER

Rev. 11/90

Zebco Division Brunswick Corporation, Box 270, Tulsa, OK 74101 USA 918-436-6581

