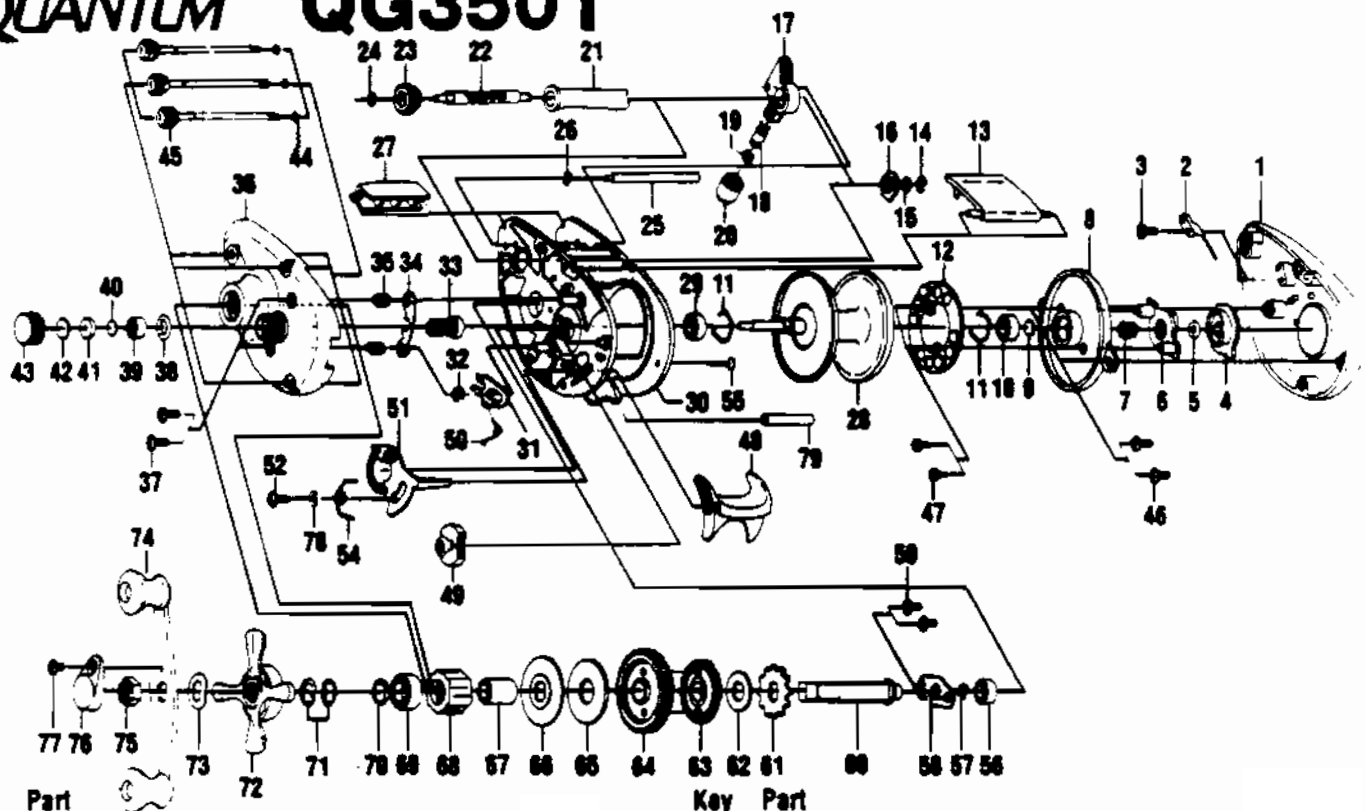


QUANTUM QG3501



Key No.	Part No.	Description	Key No.	Part No.	Description
1	QW024-3	Right Side Cover	40	QW032-1	Washer - Spool Tension
2	QW108	Clicker	41	QW081	Collar
3	QW125	Screw - Clicker	42	QW082	Cushion Washer - Spool
4	XW026	Magnet Control Dial	43	QW033	Spool Tension Knob
5	CX4250	Dial Friction Ring	44	QW073	Ring - Thumb Screw Ret
6	QW028	Slide Cam	45	QW374	Thumb Screw
7	CX4301	Slide Cam Spring	46	QW125	Screw - Spool Cover
8	QW051	Spool Cover	47	QW076	Screw - Magnet Ring
9	QW032-1	Spool Tension Shim	48	SW009	Thumb Bar
10	SW017	Bearing	49	XW087	Flippin' Switch
11	QW080	Clip Ring	50	XW097	Spring - Kick Lever
12	QW330	Magnet Plate Assy.	51	XW039	Release Slider
13	QW027-5	Hood	52	QW076	Screw Release Slider
14	ZX4657	E-Clip (Worm Shaft)	54	XW104	Spring - Release Slider
15	QW035-3	Washer (Worm Shaft)	55	SW050	Thumb Bar Retaining Screw
16	QW067	Worm Shaft Bushing	56	QW017	Bearing - Crankshaft
17	QW347	Line Guide Carrier	57	CX4152	E-Ring - Crankshaft
18	CW006	Line Guide Pawl	58	QW002	Retainer - Crankshaft
19	QW035-3	Washer (L/G Pawl)	59	QW107	Screw - Crankshaft Retainer
20	QW007	Line Guide Carrier Screw	60	QW008	Crankshaft
21	QW016	Worm Shaft Guide	61	QW083	Trip Ratchet
22	QW072	Worm Shaft	62	QW111	Washer
23	QW085	Level Wind Gear	63	QW112	Gear - L/W Idler
24	VX4243	E-Ring (L/W Gear)	64	QW012-2	Drive Gear
25	QW061	Stabilizer Bar	65	QW059	Drag Disc
26	VX4243	E-Ring (Stabilizer Bar)	66	QW045	Drag Washer
27	QW099-2	Front Support	67	QW052	Clutch Sleeve
28	QW321-4	Spool Assy.	68	QW063	Anti-Reverse Clutch
29	SW017	Bearing	69	TW058	Bearing - Crankshaft Top
30	XW001	Frame	70	QW035	Washer - Crankshaft
31	SW079-2	Kick Lever	71	CX4662	Spring "D" Washer
32	CX4152	E-Ring (Kick Lever)	72	QW055-2	Drag Star
33	QW311-2	Pinion Gear	73	CX4660	Handle Washer
34	XW025	Pinion Yoke	74	QW318	Handle Assy.
35	QW040	Spring-Pinion Yoke	75	QW003-2	Handle Nut
36	XW024-3	Left Side Cover	76	QW034	Handle Nut Cap
37	QW053-1	Screw (Lft. Side Cover)	77	QW123	Handle Nut Cap Screw
38	CX4258	Tension Knob Ring	78	SW121	Washer - Release Slider
39	QW117	Bearing	79	SW094	Spacer

WWW.REELDR.COM

Prices subject to change without notice. Prices do not include postage and handling.

PLEASE ORDER BY PART NUMBER

Rev. 5/93

Zebco Division Brunswick Corporation, Box 270, Tulsa, OK 74101 USA 918-836-5581

