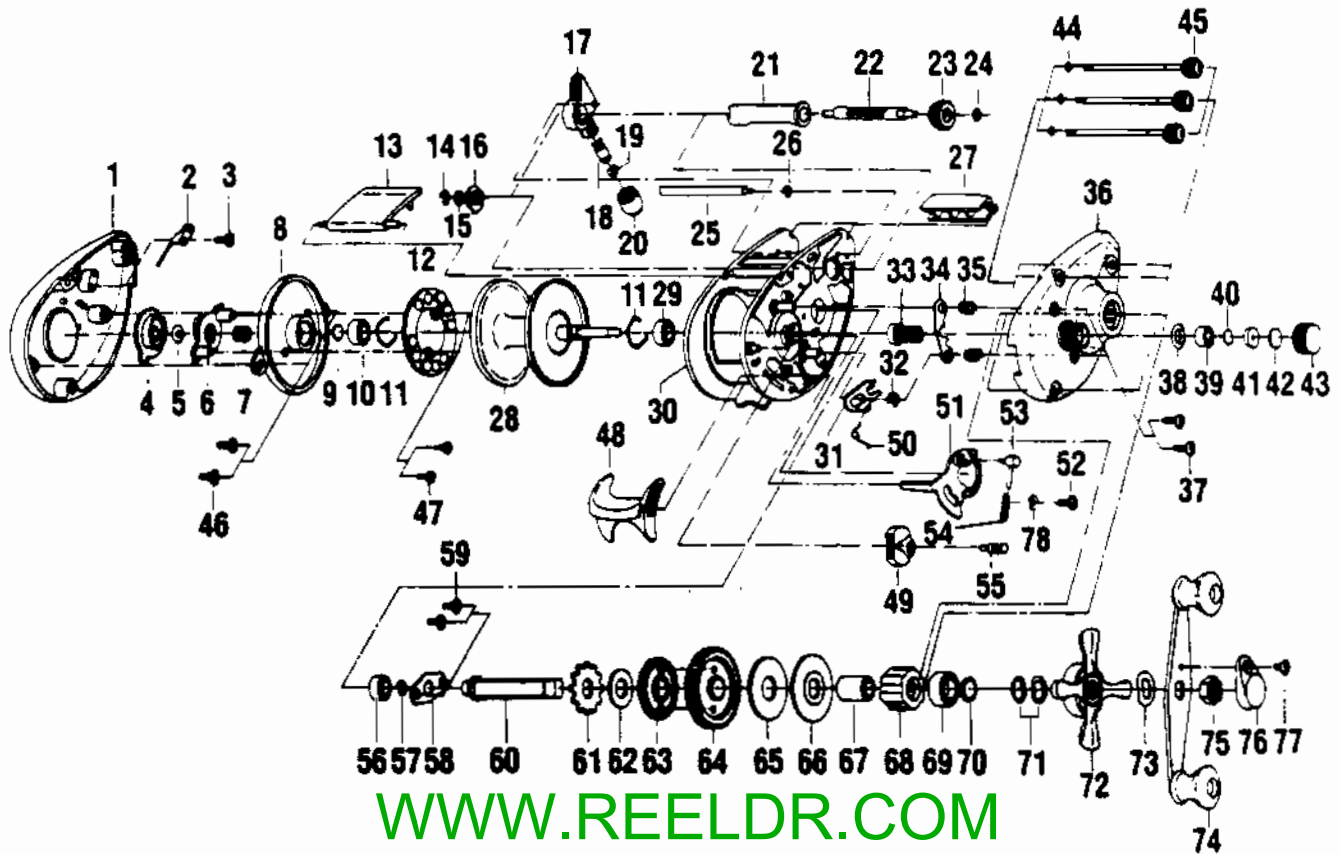


QUANTUM QG3500



WWW.REELDR.COM

KEY NO.	PART NO.	DESCRIPTION	KEY NO.	PART NO.	DESCRIPTION	KEY NO.	PART NO.	DESCRIPTION
1	QW023-1	Left Side Cover	28	QW321-2	Spool Assy.	55	SW120	Spring Pivot
2	QW108	Clicker	29	SW017	Bearing	56	QW017	Bearing - Crankshaft
3	QW125	Screw - Clicker	30	SW001	Frame	57	CX4152	E-Ring - Crankshaft
4	SW026	Magnet Control Dial	31	SW077	Kick Lever	58	QW002	Retainer - Crankshaft
5	CX4250	Dial Friction Ring	32	CX4152	E-Ring (Kick Lever)	59	QW107	Screw - Crankshaft
6	QW028	Slide Cam	33	QW311	Pinion Gear			Retainer
7	CX4301	Slide Cam Spring	34	SW025	Pinion Yoke	60	QW008	Crankshaft
8	QW051	Spool Cover	35	QW040	Spring-Pinion Yoke	61	QW083	Trip Ratchet
9	QW032-1	Spool Tension Shim	36	QW324-2	Right Side Cover	62	QW111	Washer
10	QW017	Bearing	37	QW053-2	Screw (Rt. Side Cover)	63	QW112	Gear - L/W Idler
11	QW080	Clip Ring	38	CX4258	Tension Knob Ring	64	QW012	Drive Gear
12	QW330	Magnet Plate Assy.	39	QW117	Bearing	65	QW059	Drag Disc
13	QW027-1	Hood	40	QW032-1	Washer - Spool Tension	66	QW045	Drag Washer
14	ZX4657	E-Clip (Worm Shaft)	41	QW081	Collar	67	QW052	Clutch Sleeve
15	QW035-3	Washer (Worm Shaft)	42	QW082	Cushion Washer - Spool	68	QW063	Anti-Reverse Clutch
16	QW067	Worm Shaft Bushing	43	QW033	Spool Tension Knob	69	TW058	Bearing - Crankshaft Top
17	QW347	Line Guide Carrier	44	QW073	Ring - Thumb Screw Ret.	70	QW035	Washer - Crankshaft
18	QW006	Line Guide Pawl	45	QW374	Thumb Screw	71	CX4662	Spring "D" Washer
19	QW035-3	Washer (L/G Pawl)	46	QW125	Screw - Spool Cover	72	QW055	Drag Star
20	QW007	Line Guide Carrier Screw	47	QW076	Screw - Magnet Ring	73	CX4660	Handle Washer
21	QW016	Worm Shaft Guide	48	SW009	Thumb Bar	74	QW318	Handle Assy.
22	QW072	Worm Shaft	49	SW087	Flippin' Switch	75	QW003	Handle Nut
23	QW085	Level Wind Gear	50	QW097	Spring - Kick Lever	76	QW034	Handle Nut Cap
24	VX4243	E-Ring (L/W Gear)	51	SW039	Release Slider	77	QW123	Handle Nut Cap Screw
25	QW061	Stabilizer Bar	52	QW076	Screw Release Slider	78	SW121	Washer - Release Slider
26	VX4243	E-Ring (Stabilizer Bar)	53	SW041	Spring Anchor			
27	QW099-2	Front Support	54	SW104	Spring - Release Slider			

PLEASE ORDER BY PART NUMBER

Rev. 7/92

Zebco Division Brunswick Corporation, Box 270, Tulsa, OK 74101 USA 918-636-5581

