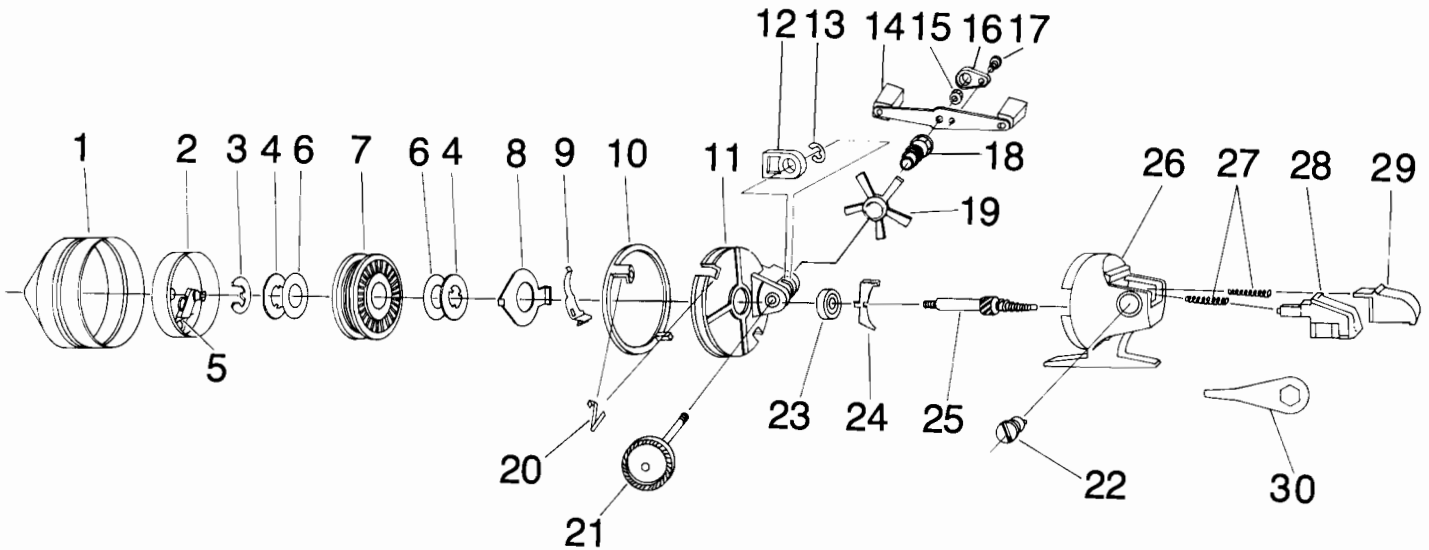


# QUANTUM® QFM2



**KEY PART**

NO. NO.	DESCRIPTION
1 WY324	FRONT COVER S/A
2 JY310	SPINNERHEAD
3 JY034	SPOOL CLIP
4 JY040	SPOOL WASHER
5 JY049	PICKUP PIN ARM SPRING
6 JY108	FLAT WASHER, DRAG
7 JY021	SPOOL
7 JY321-8H	WOUND SPOOL 8# MONO HP
8 NY027	CLUTCH RING
9 RY033	RATCHET SPRING
10 WY319	BRAKING/MAGNET
11 WY301	BODY S/A
12 JY054	SLIDE DRAG ACTUATOR
13 JY121	RETAINER CLIP
14 WY318	CRANK HANDLE S/A
15 XZ003-1	CRANK NUT

**KEY PART**

NO. NO.	DESCRIPTION
16 WY056	CRANK NUT CAP
17 WY057	SCREW
18 WY026	CRANK SHAFT BUSHING
19 WY032	DRAG ADJUSTMENT STAR
20 WY114	LEAF SPRING
21 JY308	CRANK GEAR SUB-ASSEMBLY
22 WY110	CAST CONTRL DIAL
23 RY030	BALL BEARING
24 WY060	ANTI-REVERSE PAWL
25 WY315	CENTER SHAFT S/A
26 WY323	BACK COVER S/A
27 JY020	CENTER SHAFT SPRING
28 WY313	FEATHER CONTROL
29 WY009	THUMB STOP SLIDE
30 WY120	WRENCH AND SCREWDRIVER

[WWW.REELDR.COM](http://WWW.REELDR.COM)

Prices subject to change without notice. Prices do not include postage and handling.

**PLEASE ORDER BY PART NUMBER**

Rev. 9/88

Zebco Division Brunswick Corporation, Box 270, Tulsa, OK 74101 USA 918-836-5581

