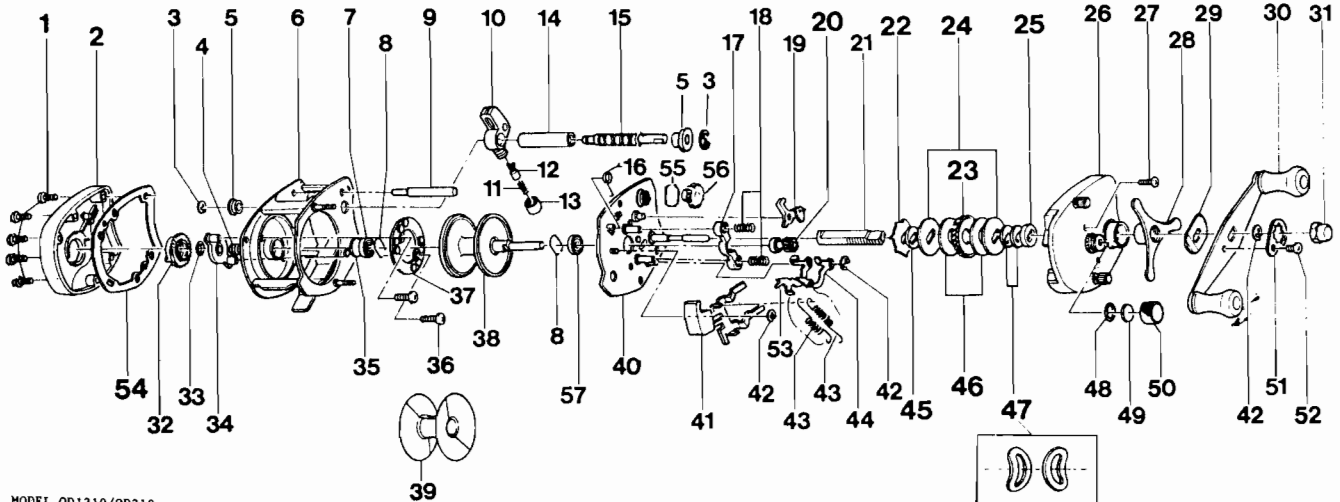


TEBCO

QUANTUM® QD1310, QD310



MODEL QD1310/QD310

Key No.	Part No.	Description
1	CX4102	Left Side Plate Screw
2	CX4101	Left Side Plate
3	CX4152	Worm Shaft Retainer
4	CX4301	Magnet Retainer Spring
5	CX4156	Worm Guard Bushing
6	CX4051	Frame
7	CX4252	Spool Shaft Bearing
8	CX4253	Bearing Retainer
9	CX4159	Frame Post - Black
10	CX4201	Line Guide
11	CX4203	Line Guide Pawl Spring
12	CX4202	Line Guide Pawl
13	CX4204	Pawl Cap
14	CX4158	Worm Shaft Guard-Black
15	CX4151-1	*Worm Shaft
16	CX4502	Spool Release Spring
17	CX4401	Pinion Yoke

18	CX4403	Pinion Yoke Spring
19	CX4452	Anti-Reverse Pawl
20	CX4256	Pinion Gear
21	CX4652	Drive Shaft
22	CX4451	Anti-Reverse Ratchet
23	CX4651	Drive Gear
24	CX4659	Drag Washer B
25	CX4254	Drive Shaft Bushing
26	CX4103	Right Side Plate (QD1310)
27	CX4352	Right Side Cover Screw
28	CX4663	Star Drag
29	CX4660	Handle Washer
30	CX4701	Handle
31	CX4702	Handle Nut
32	CX4303	Magnetic Control Dial
33	CX4250	O Ring
34	CX4261	Magnet Retainer Support
35	CX4255	Spool Tension Shim A
36	CX4602	Magnet Retainer Screw
37	CX4257	Magnet Retainer
38	CX4251	Spool

Key No.	Part No.	Description
39	CX4260	U Spool Converter
40	CX4351-1	*Set Plate (incl. 16,40,41,42 (2),43 (2),44,53)
41	CX4402	Spool Release Button
42	CX4656	Retainer Clip
43	CX4353	Set Plate Actuator Spring
44	CX4503	Set Plate Actuator B
45	CX4658	Base Drag Washer
46	CX4661	Drag Washer A
47	CX4662	Drive Shaft Spring Washer
48	CX4258	O Ring
49	CX4302	Spool Tension Shim B
50	CX4259	Spool Tension Knob
51	CX4703	Handle Nut Lock
52	CX4704	Handle Nut Lock Screw
53	CX4501	Set Plate Actuator A
54	CX4107	Left Side Plate Spacer - w
55	CX4153	*Gear Retaining Clip

56	CX4150	*Worm Shaft Gear
57	CX4252	Spool Shaft Bearing

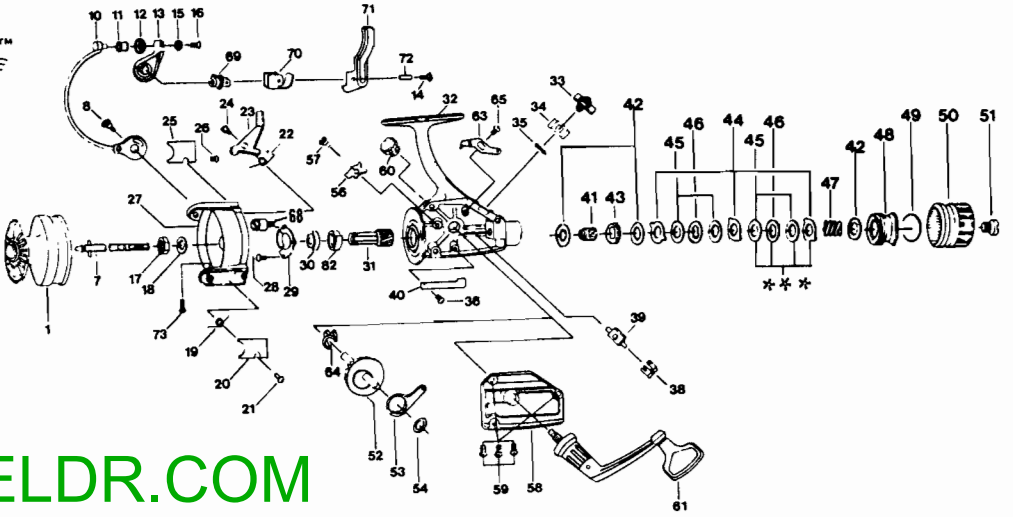
MODEL QD310	SPECIAL PARTS
7	BX4156 Spool Shaft Bushing
9	BX4159 Frame Post - Black
14	BX4158 Worm Shaft Guard - Silver
26	BX4103 Right Side Plate
54	BX4107 Left Side Plate Spacer - Red
57	BX4157 Spool Shaft Bushing (R)

Not Shown:
T130 Wrench
CX4000 Spare Parts Kit w/Wrench (Incl. 1, 8, 27, 35, 49, 52)

A few 1985 Models use the following parts:
15 CX4151 Worm Shaft w/Gear
40 CX4351 Set Plate (incl. Keys 16,40,41(2), 42(2),44,53)

* Denotes parts not used on these selected models.

pro staff™
10, 10CC



WWW.REELDR.COM

Key No.	Part No.	Description
1	SB321	Spool Assembly
7	SB315	Center Shaft Assembly
8	SB048	Bail Screw B PS10
10	YB048	Bail Screw B PS10CC
10	SB347	Bail Assembly PS10
10	XB347	Bail Assembly PS10CC
11	NB004	Line Roller
12	NB016	Line Roller Bushing
13	SB007	Bail Arm A PS10
14	SB007	Bail Arm 10 PS10CC
15	SB051	Bail Screw A PS10
16	NB108	Bail Axle Washer
17	RB006	Bail Axle Screw
18	RB065	Rotor Nut
19	SB022	Rotor Nut Washer
19	YB022	Bail Spring PS10
		Bail Spring PS10CC

20	SB087	Bail Spring Cover PS10
	XB087	Bail Spring Cover PS10CC
21	NB085	Bail Cover Screw
22	RB049	Trip Lever Spring PS10
	YB049	Trip Lever Spring PS10CC
23	SB019	Trip Lever PS10
	XB019	Trip Lever PS10CC
24	RB037	Trip Lever Screw
25	SB024	Trip Lever Cover PS10
25	YB024	Trip Lever Cover PS10CC
26	NB085	Bail Cover Screw
27	SB009	Rotor PS10
	XB009	Rotor PS10CC
28	NB080	Bearing Retainer Screw
29	RB040	Bearing Retainer PS10
	YB040	Bearing Retainer PS10CC
30	RB028	Bail Bearing
31	RB011	Pinion
32	SB301	Body Assembly PS10
	XB301	Body Assembly PS10CC

Key No.	Part No.	Description
33	RB059	Anti-Reverse Lever
34	RB090	Anti-Reverse Lever Spring
35	NB091	Anti-Reverse Lever Pin
36	NB080	Click Claw Screw
37	RB083	Stopper
39	RB081	Sliding Pin
40	RB068	Click Claw
41	RB104	Slider Holder
42	RB046	Drag Washer C
43	RB066	Click Gear
44	RB030	Drag Washer A
45	RB039	Drag Washer B
46	RB071	Drag Washer D
47	RB031	Drag Coil Spring
48	RB112	Drag Nut
49	RB070	Drag Retainer Ring
50	RB032	Drag Knob
51	NB079	Drag Screw
52	RB012	Crank Gear

53	RB025	Oscillator Slider
54	RB026	Crank Gear Shim
56	RB063	Anti-Reverse Pawl
57	RB089	Anti-Reverse Pawl Screw
58	SB323	Side Plate Assembly
59	NB057	Side Plate Screw
60	NB073	Handle Cap
61	RB318	Handle Assembly
62	RB060	Anti-Reverse Ratchet PS10
	XB060	Anti-Reverse Ratchet PS10CC
63	RB099	Anti-Reverse Lever Cam
64	RB086	Slider Spring
65	RB107	Anti-Reverse Lever Cam Screw
68	RB062	Kick Lever Pin PS10
69	YB113	Trigger Holder PS10CC
70	YB114	Trigger Spring PS10CC
71	YB115	Trigger PS10CC
72	YB116	Trigger Pin PS10CC
73	YB117	Trigger Holder Screw PS10CC

** Denotes washers used on models produced after September 1984.