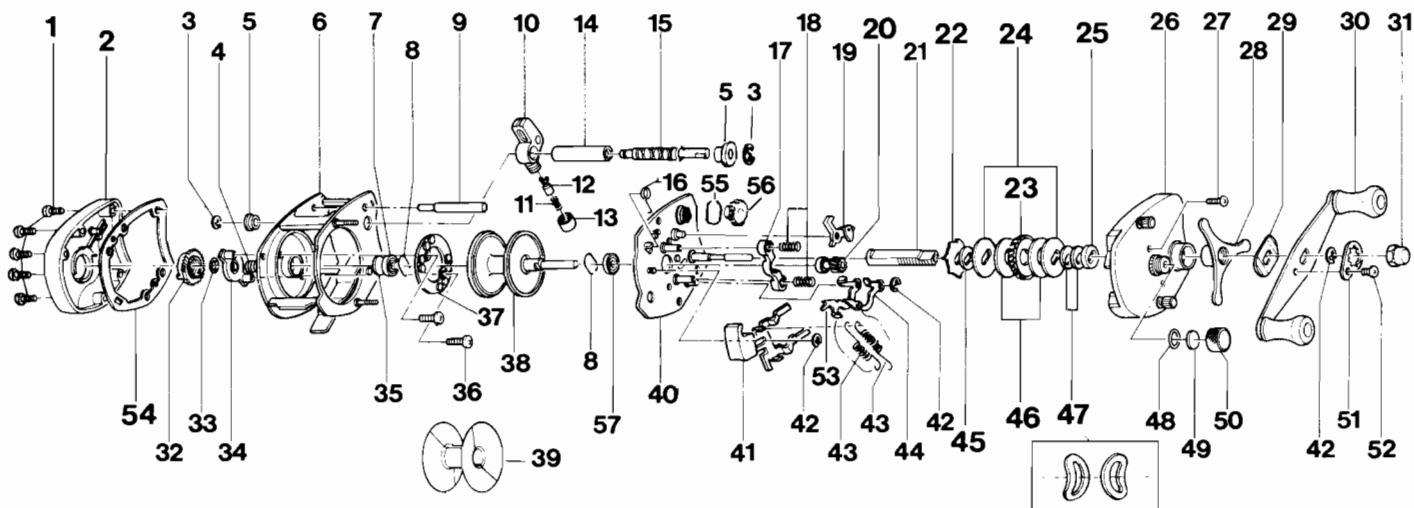


# QUANTUM® QD1310/QD310



## KEY PART

NO. NO.	DESCRIPTION
1 CX4102	LEFT SIDE PLATE SCREW
2 CX4101	LEFT SIDE PLATE
3 CX4152	WORM SHAFT RETAINER
4 CX4301	MAGNET RET. SPRING
5 CX4156	WORM GUARD BUSHING
6 CX4051	FRAME
7 CX4252	SPOOL SHFT BEARING
8 CX4253	BEARING RETAINER
9 CX4159	FRAME POST BLACK
10 CX4201	LINE GUIDE
11 CX4203	LINE GUIDE PAWL SPRING
12 CX4202	LINE GUIDE PAWL
13 CX4204	PAWL CAP
14 CX4158	WORM SHAFT GUARD-BLK
15 CX4151	WORM SHAFT W/GEAR
16 CX4502	SPOOL RELEASE SPRING
17 CX4401	PINION YOKE
18 CX4403	PINION YOKE SPRING
19 CX4452	ANTI-REV. PAWL
20 CX4256	PINION GEAR
21 CX4652	DRIVE SHAFT
22 CX4451	ANTI-REV. RATCHET
23 CX4651	DRIVE GEAR
24 CX4659	DRAG WASHER B
25 CX4254	DRIVE SHFT BUSH
26 CX4103	RT. SIDE PLATE
27 CX4352	RIGHT SIDE COVER SCREW
28 CX4663	STAR DRAG
29 CX4660	HANDLE WASHER
30 CX4701	HANDLE
31 CX4702	HANDLE NUT
32 CX4303	MAGNETIC CONTROL DIAL
33 CX4250	O RING
34 CX4261	MAGNET RET. SUPPORT
35 CX4255	SPOOL TENSION SHIM A
36 CX4602	MAGNET RETAINER SCREW
37 CX4257	MAGNET RETAINER

## KEY PART

NO. NO.	DESCRIPTION
38 CX4251	SPOOL ASSY
39 CX4260	U SPOOL CONVERTER
40 CX4351	SET PLATE ASSY
41 CX4402	SPOOL RELEASE BUTTON
42 CX4656	RETAINER CLIP
43 CX4353	SET PLATE ACT. SPRING
44 CX4503	SET PLATE ACTUATOR B
45 CX4658	BASE DRAG WASHER
46 CX4661	DRAG WASHER A
47 CX4662	DRIVE SHAFT SPR. WSHR
48 CX4258	O RING
49 CX4302	SPOOL TENSION SHIM B
50 CX4259	SPOOL TENSION KNOB
51 CX4703	HANDLE NUT LOCK
52 CX4704	HANDLE NUT LOCK SCREW
53 CX4501	SET PLATE ACT. A
54 CX4107	LEFT PLATE SPACER-WH.
55 CX4153	GEAR RETAINING CLIP
56 CX4150	WORM SHAFT GEAR
** CX4000	SPARE PARTS W/WRENCH

## Model QD310 Special Parts

7 BX4156	SPOOL SHAFT BUSHING
9 BX4159	FRAME POST- SILVER
14 BX4158	WORM SHFT GUARD-SILVER
26 BX4103	RIGHT SIDE PLATE
54 BX4107	LEFT PLATE SPACER-RED
57 BX4157	SPOOL SHAFT BUSHING B
CX4000	SPARE PARTS W/WRENCH

\*\*Not shown on diagram.

WWW.REELDR.COM

Prices subject to change without notice. Prices do not include postage and handling.

**PLEASE ORDER BY PART NUMBER**

Rev. 9/88

Zebco Division Brunswick Corporation, Box 270, Tulsa, OK 74101 USA 918-836-5581

