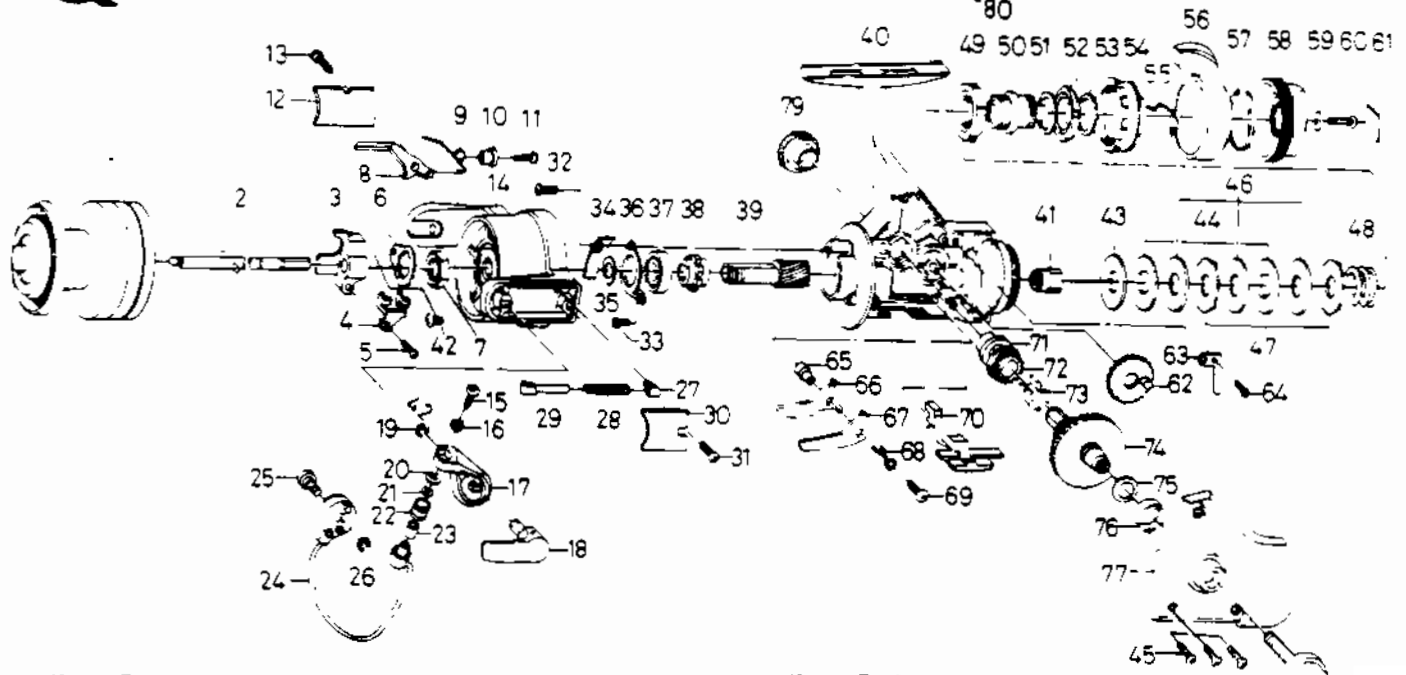


QUANTUM QC4

DISCONTINUED



Key No.	Part No.	Description
	NT321-1	SPOOL ASSY. EXTRA
1	NT321	SPOOL ASSY. (MAIN)
2	NT315	MAIN SHAFT
3	NT025	OSCILLATING SLIDER
4	NT083	OSC. SLIDER RETAINER
5	NT161	OSC. SLIDER SCREW
6	NT088	ROTOR NUT LOCK WASHER
7	NT006	ROTOR NUT
8	NT019	BAIL TRIP LEVER
9	NT049	BAIL TRIP LEVER SPRING
10	NT137	BAIL TRIP LV. BUSHING
11	NT037	BAIL TRIP LEVER SCREW
12	NT024	BAIL TRIP COVER
13	NT085	BAIL SPG COVER SCRW
14	NT009	ROTOR
15	NT108	BAIL SCREW
16	MT102	LOCK WASHER
17	NT007	BAIL ARM
18	NT115	CAM CAST LEVER
19	MT002	CAM CAST LV. RETAINER
20	MT017	LINE ROLLER COLLAR
21	MT015	LINE ROLLER
22	MT004	LINE ROLLER
23	MT016	LINE ROLLER BUSHING
24	NT347	BAIL
25	NT044	BAIL HOLDER PIN
26	MT003	BAIL TRIP CAM RET.
27	NT020	BAIL SPG SHAFT HLDR
28	NT022	BAIL SPRING
29	NT029	BAIL SPRING SHAFT
30	NT087	BAIL SPRING COVER
31	NT085	BAIL SPG COVER SCRW
32	NT080	BEARING RET. SCREW A
33	NT093	BEARING RET. SCREW B
34	NT082	BAIL TRIP PLATE
35	NT027	PINION WASHER
36	NT040	BEARING RETAINER
37	NT028	BALL BEARING
38	NT060	ANTI-REV. RATCHET
39	NT011	PINION GEAR
40	NT301	BODY

WWW.REELDR.COM

Key No.	Part No.	Description
41	NT066	CLICK GEAR
42	NT058	RTR NUT LOCK SCREW
43	NT039	DRAG WASHER B
44	NT041	EARED WASHER
45	NT057	SIDE COVER SCREW
46	NT046	DRAG WASHER C
47	NT030	KEY WASHER
48	NT031	DRAG COIL SPRING
49	NT112	DRAG NUT A
50	NT121	DRAG SCREW
51	NT106	DRAG SCREW WASHER A
52	NT110	DRAG HOLDER
53	NT111	DRAG SCREW WASHER B
54	NT117	DRAG NUT B
55	NT118	DRAG SPRING
56	NT094	POWER LEVER
57	NT095	POWER LEVER RETAINER
58	NT032	DRAG NNOB
59	NT119	DRAG KNOB WASHER
60	NT079	DRAG KNOB SCREW
61	NT120	DRAG KNOB NAME PLATE
62	NT053	OSCILLATING GEAR
63	NT068	CLICK LEAF SPRING
64	NT067	CLICK LEAF SPRING SCRW
65	NT014	ANTI-REV PAWL COLLAR
66	NT063	ANTI-REV. PAWL A
67	NT064	ANTI-REV. PAWL B
68	NT061	ANTI-REV PAWL SPG A
69	NT089	ANTI-REV PAWL SCREW
70	NT059	ANTI-REV. LEVER
71	NT052	BUSHING
72	NT253	OSCILLATING PN GEAR
73	NT086	ANTI-REV PAWL SPG B
74	NT012	DRIVE GEAR
75	NT026	DRIVE GEAR WASHER
76	NT157	BALL BEARING
77	NT323	SIDE COVER
78	NT318	HANDLE ASSY.
79	MT073	HANDLE SCREW CAP
80	NT121	DRAG SCREW

Prices subject to change without notice. Prices do not include postage and handling. Some parts may not be available.

PLEASE ORDER BY PART NUMBER

Rev. 5/93

Zebco Division Brunswick Corporation, Box 270, Tulsa, OK 74101 USA 918-836-5581

