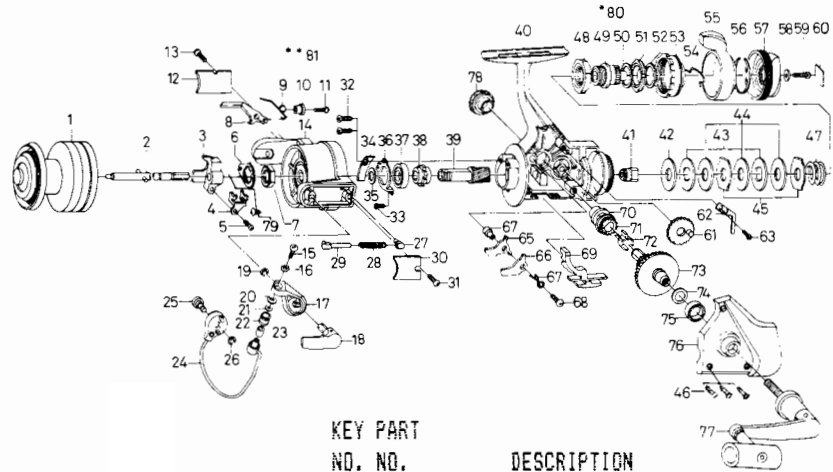


QUANTUM® QC3



**KEY PART
NO. NO.**

1	MT321	SPOOL ASSY. (MAIN)
2	MT315	MAIN SHAFT
3	MT025	OSCILLATING SLIDER
4	MT083	OSC. SLIDER RETAINER
5	MT161	OSC. SLIDER SCREW
6	MT088	ROTOR NUT LOCK WASHER
7	MT006	ROTOR NUT
8	MT019	BAIL TRIP LEVER
9	MT049	BAIL TRIP LEVER SPRING
10	MT137	BAIL TRIP LV. BUSHING
11	MT037	BAIL TRIP LEVER SCREW
12	MT024	BAIL TRIP COVER
13	MT085	BAIL SPG COVER SCRW
14	MT009	ROTOR
15	MT108	BAIL SCREW
16	MT102	LOCK WASHER
17	MT007	BAIL ARM
18	MT115	CAM CAST LEVER
19	MT002	CAM CAST LV. RETAINER
20	MT017	LINE ROLLER COLLAR
21	MT015	LINE ROLLER
22	MT004	LINE ROLLER
23	MT016	LINE ROLLER BUSHING
24	MT347	BAIL
25	MT044	BAIL HOLDER PIN
26	MT003	BAIL TRIP CAM RET.
27	MT020	BAIL SPG SHAFT HLDR
28	MT022	BAIL SPRING
29	MT029	BAIL SPRING SHAFT
30	MT087	BAIL SPRING COVER
31	MT085	BAIL SPG COVER SCRW
32	MT080	BEARING RET. SCREW A
33	MT093	BEARING RET. SCREW B
34	MT082	BAIL TRIP PLATE
35	MT027	PINION WASHER
36	MT040	BEARING RETAINER
37	MT028	BALL BEARING
38	MT060	ANTI-REV. RATCHET
39	MT011	PINION GEAR
40	MT301	BODY
41	MT066	CLICK GEAR
42	MT039	DRAG WASHER B
43	MT041	EARED WASHER

**KEY PART
NO. NO.**

44	MT046	DRAG WASHER C
45	MT030	KEY WASHER
46	MT057	SIDE COVER SCREW
47	MT031	DRAG COIL SPRING
48	MT112	DRAG NUT A
49	MT121	DRAG SCREW
50	MT106	DRAG SCREW WASHER A
51	MT110	DRAG HOLDER
52	MT111	DRAG SCREW WASHER B
53	MT117	DRAG NUT B
54	MT118	DRAG SPRING
55	MT094	POWER LEVER
56	MT095	POWER LEVER RETAINER
57	MT032	DRAG KNOB
58	MT119	DRAG KNOB WASHER
59	MT079	DRAG KNOB SCREW
60	MT120	DRAG KNOB NAME PLATE
61	MT053	OSCILLATING GEAR
62	MT068	CLICK LEAF SPRING
63	MT067	CLICK LEAF SPRING SCRW
64	MT014	ANTI-REV PAWL COLLAR
65	MT063	ANTI-REV. PAWL A
66	MT064	ANTI-REV. PAWL B
67	MT061	ANTI-REV PAWL SPG A
68	MT089	ANTI-REV PAWL SCREW
69	MT059	ANTI-REV. LEVER
70	MT052	BUSHING
71	MT253	OSCILLATING PN GEAR
72	MT086	ANTI-REV PAWL SPG B
73	MT012	DRIVE GEAR
74	MT026	DRIVE GEAR WASHER
75	MT157	BALL BEARING
76	MT323	SIDE COVER
77	MT318	HANDLE ASSY.
78	MT073	HANDLE SCREW CAP
79	MT058	RTR NUT LOCK SCREW
*80	MT121	DRAG SCREW
**81	MT122	BAIL TRIP LEVER WSHR
	MT321-1	SPOOL ASSY. EXTRA

WWW.REELDR.COM

*Not pictured
Located between Keys 49 & 50

**Not pictured
Located between Keys 10 & 11

Prices subject to change without notice. Prices do not include postage and handling.

PLEASE ORDER BY PART NUMBER

Rev. 9/88

Zebco Division Brunswick Corporation, Box 270, Tulsa, OK 74101 USA 918-836-5581