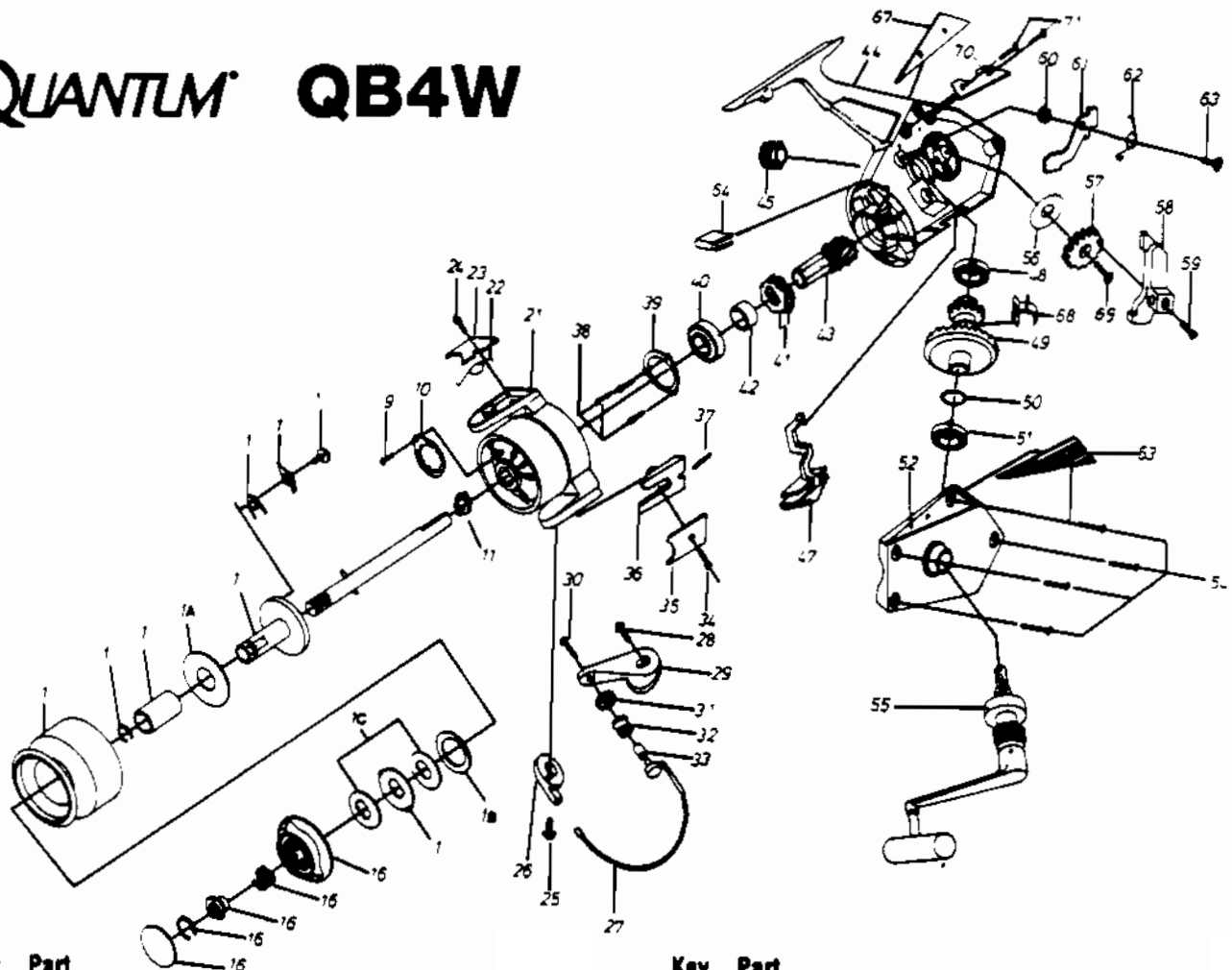


QUANTUM QB4W



| Key No. | Part No. | Description | Key No. | Part No. | Description |
|---------|----------|-------------------------|---------|----------|-------------------------|
| | UK039 | DRAG WASHER 'B' | 41 | UK060 | STOPPER GEAR |
| | UK046 | DRAG WASHER 'C' | 42 | UK126 | PINION COLLAR |
| | UK163 | SPOOL RETAINER BUSHING | 43 | UK011 | PINION |
| 1 | VK321 | SPOOL ASSY. | 44 | VK301 | BODY |
| 9 | UK058 | NUT RING SCREW | 45 | UK073 | DUST COVER |
| 10 | UK088 | ROTOR NUT RING | 47 | UK059 | ANTI-REVERSE SWITCH |
| 11 | UK006 | ROTOR NUT | 48 | UK013 | BODY BUSHING |
| 12 | UK315 | CENTER SHAFT | 49 | UK012 | CRANK GEAR |
| 16 | UK050 | DRAG KNOB ASSY. | 50 | UK026 | CRANK GEAR WASHER |
| 21 | VK009 | ROTOR | 51 | UK164 | SIDE PLATE BUSHING |
| 22 | UK022 | ARM LEVER SPRING | 52 | VK323 | SIDE PLATE |
| 23 | UK087 | ARM LEVER COVER | 53 | UK324 | GROOVE PART 'L' |
| 24 | UK085 | ARM LEVER COVER SCREW | 54 | UK057 | SIDE PLATE SCREW |
| 25 | UK048 | BAIL HOLDER SCREW | 55 | UK318 | HANDLE ASSY. |
| 26 | UK345 | BAIL HOLDER | 56 | UK165 | OSC. GUIDE WASHER |
| 27 | VK346 | BAIL WIRE | 57 | UK053 | OSCILLATOR GEAR |
| 28 | UK051 | ARM LEVER SCREW | 58 | UK025 | OSCILLATOR GUIDE |
| 29 | UK007 | ARM LEVER | 59 | UK084 | CENTER SHAFT SCREW |
| 30 | UK108 | LINE SLIDER SCREW | 60 | UK014 | STOPPER SUPPORT BUSHING |
| 31 | UK017 | LINE SLIDER COLLAR | 61 | UK063 | STOPPER |
| 32 | UK004 | LINE ROLLER | 62 | UK061 | STOPPER SPRING |
| 33 | UK016 | LINE ROLLER BUSHING | 63 | UK089 | STOPPER SCREW |
| 34 | UK037 | BAIL HOLDER COVER SCREW | 64 | UK166 | STOPPER SUPPORT |
| 35 | UK024 | BAIL HOLDER COVER | 67 | UK325 | GROOVE PART 'R' |
| 36 | UK019 | KICK LEVER | 68 | UK086 | SLIDING SPRING |
| 37 | UK049 | KICK LEVER SPRING | 69 | UK078 | OSC. GEAR SCREW |
| 38 | UK080 | BEARING COVER SCREW | 70 | UK167 | OSC. GUIDE SUPPORT |
| 39 | UK040 | BEARING COVER | 71 | UK168 | OSC. SUPPORT SCREW |
| 40 | UK028 | PINION BEARING | | | |

WWW.REELDR.COM

Prices subject to change without notice. Prices do not include postage and handling.

PLEASE ORDER BY PART NUMBER

Rev. 5/93

Zebco Division Brunswick Corporation, Box 270, Tulsa, OK 74101 USA 918-836-5581

