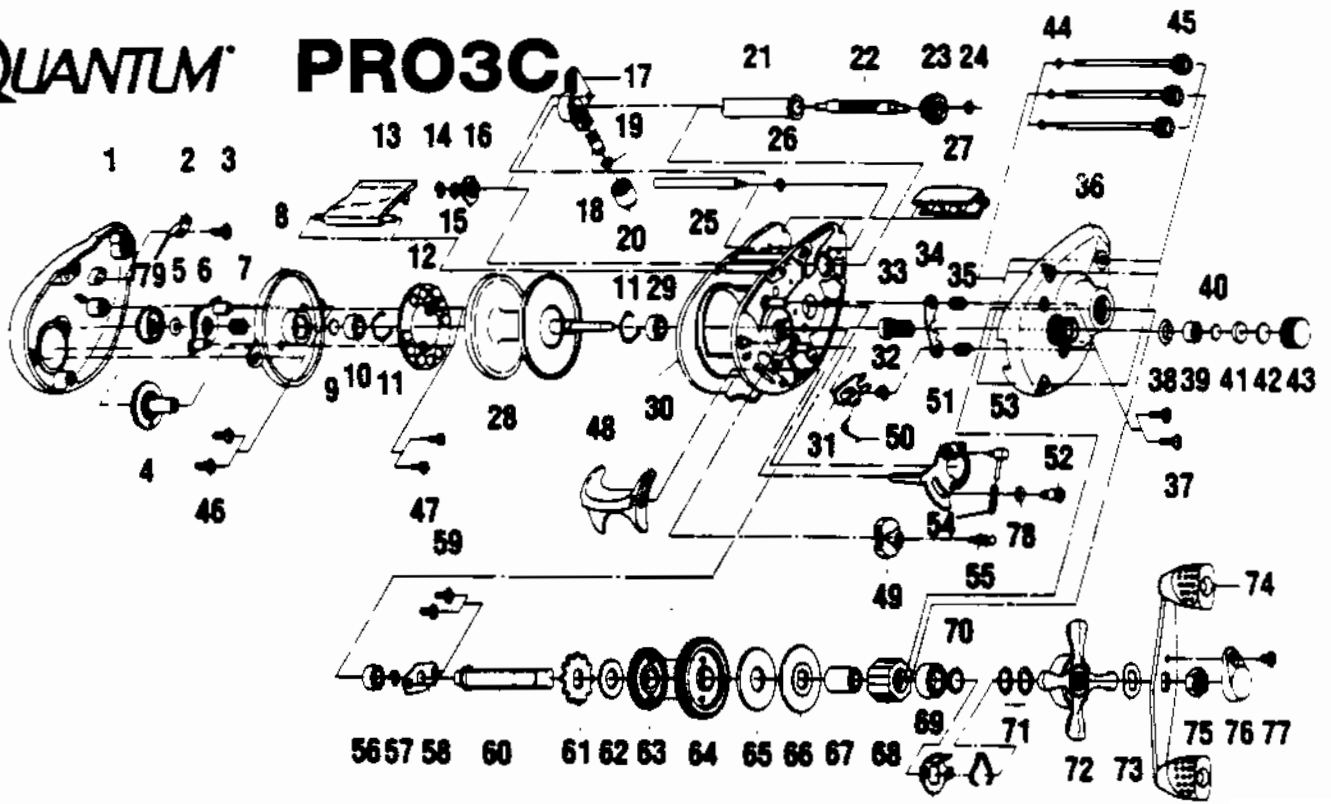


QUANTUM PRO3C



Key No.	Part No.	Description	Key No.	Part No.	Description
1	VW023	LEFT SIDE COVER	40	QW032-1	SPOOL TENSION KNOB
2	QW108	CLICKER	41	QW081	COLLAR
3	QW125	SPOOL COVER SCREW	42	QW082	SPOOL CUSHION WASHER
4	UW026	MAGNET CONTROL CAM	43	QW033	SPOOL TENSION KNOB
5	CX4250	O RING	44	QW073	RING-THUMB SCREW RET
6	QW028	SLIDE CAM	45	QW374	THUMB SCREW
7	CX4301	MAGNET RET. SPRING	46	QW125	SPOOL COVER SCREW
8	QW051	SPOOL COVER	47	QW076	SCREW
9	QW032-1	SPOOL TENSION KNOB	48	SW009	THUMB BAR
10	SW017	CRANK SHAFT BEARING	49	SW087	FLIPPIN' SWITCH
11	QW080	CLIP RING	50	QW097	KICK LEVER SPRING
12	QW330	MAGNET PLATE ASSY	51	SW039	RELEASE SLIDER
13	VW027	HOOD	52	UW076	RELEASE SLIDER SCREW
14	ZX4657	RETAINER CLIP	53	SW041	SPRING ANCHOR
15	QW035-3	WASHER - WORM SHAFT	54	UW104	RELEASE SLIDER SPRING
16	QW067	WORM SHAFT BUSHING	55	SW120	SPRING PIVOT
17	QW347	LINE GUIDE CARRIER	56	SW017	CRANK SHAFT BEARING
18	QW006	LINE GUIDE PAWL	57	CX4152	WORM SHAFT RETAINER
19	QW035-3	WASHER - WORM SHAFT	58	QW002	CRANK SHAFT RETAINER
20	TW007	LINE GUIDE CARRIER SCREW	59	TW107	CRANK SHAFT RET. SCREW
21	QW016	WORM SHAFT GUIDE	60	QW008	CRANK SHAFT
22	QW072	WORM SHAFT	61	QW083	TRIP RATCHET
23	QW085	LEVEL WIND GEAR	62	QW111	WASHER
24	VX4243	E-CLIP	63	QW112	GEAR - L/W IDLER
25	TW061	STABILIZER BAR	64	SW012	DRIVE GEAR
26	VX4243	E-CLIP	65	QW059	DRAG DISC
27	TW099	FRONT SUPPORT	66	QW045	DRAG WASHER
28	QW321	SPOOL ASSY	67	QW052	CLUTCH SLEEVE
29	SW017	CRANK SHAFT BEARING	68	QW063	ANTI-REVERSE CLUTCH
30	UW001	FRAME	69	TW058	BEARING - CRANK SHAFT TOP
31	SW077	KICK LEVER	70	TW035	CRANK SHAFT WASHER
32	CX4152	WORM SHAFT RETAINER	71	CX4662	DRIVE SHAFT SPR. WSHR
33	SW311	PINION GEAR	72	QW055	DRAG STAR
34	SW025	PINION YOKE	73	CX4660	HANDLE WASHER
35	QW040	PINION YOKE SPRING	74	TW318	HANDLE ASSY
36	VW324	RIGHT SIDE COVER	75	QW003	HANDLE NUT
37	QW053-2	RIGHT SIDE COVER SCREW	76	QW034	HANDLE NUT CAP
38	CX4258	O RING	77	QW123-1	HANDLE NUT CAP SCREW
39	SW117	BEARING	78	SW121	RELEASE SLIDER WASHER

WWW.REELDR.COM

Prices subject to change without notice. Prices do not include postage and handling.

PLEASE ORDER BY PART NUMBER

Rev. 5/93

Zebco Division Brunswick Corporation, Box 270, Tulsa, OK 74101 USA 918-836-5581

