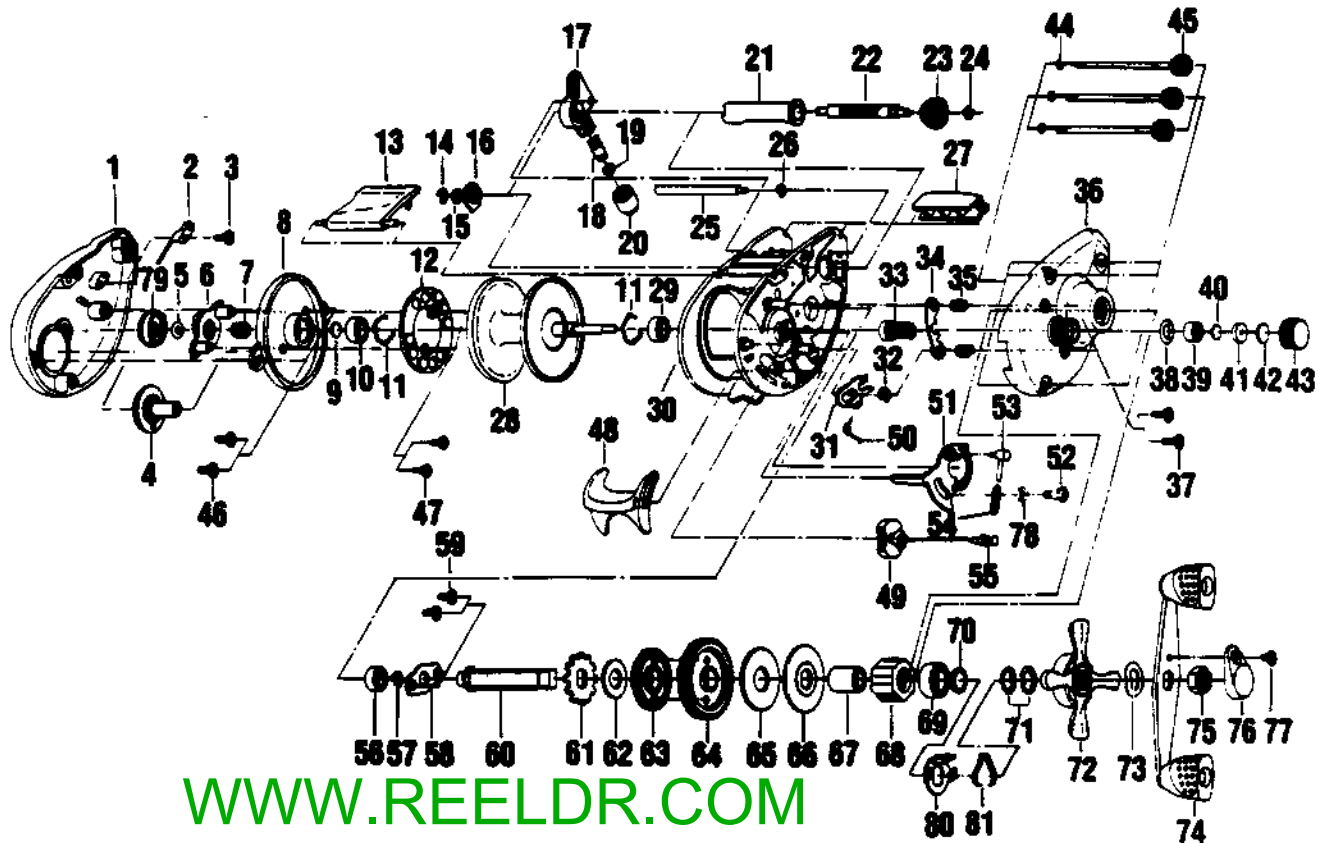


QUANTUM Pro2C



WWW.REELDR.COM

KEY PART NO. NO.	DESCRIPTION	KEY PART NO. NO.	DESCRIPTION	KEY PART NO. NO.	DESCRIPTION
1	TW023 Left Side Cover	28	QW321 Spool Assy.	55	CX4152 Spring Pivot
2	QW108 Clicker	29	SW017 Bearing	56	QW017 Bearing - Crankshaft
3	QW125 Screw - Clicker	30	UW001 Frame	57	CX4152 E-Ring - Crankshaft
4	TW026 Magnet Control Dial	31	SW077 Kick Lever	58	QW002 Retainer - Crankshaft
5	CX4250 Dial Friction Ring	32	CX4152 E-Ring (Kick Lever)	59	TW107 Screw - Crankshaft Retainer
6	QW028 Slide Cam	33	SW311 Pinion Gear	60	QW008 Crankshaft
7	CX4301 Slide Cam Spring	34	SW025 Pinion Yoke	61	QW063 Trip Ratchet
8	QW051 Spool Cover	35	QW040 Spring-Pinion Yoke	62	QW111 Washer
9	QW032-1 Spool Tension Shim	36	UW324 Right Side Cover	63	QW112 Gear - L/W Idler
10	SW017 Bearing	37	QW053-2 Screw (Rt. Side Cover)	64	SW012 Drive Gear
11	QW060 Clip Ring	38	CX4258 Tension Knob Ring	65	QW059 Drag Disc
12	QW330 Magnet Plate Assy.	39	QW117 Bearing	66	QW045 Drag Washer
13	UW027 Hood	40	QW032-1 Washer - Spool Tension	67	QW052 Clutch Sleeve
14	ZX4657 E-Clip (Worm Shaft)	41	QW081 Collar	68	QW063 Anti-Reverse Clutch
15	QW035-3 Washer (Worm Shaft)	42	QW082 Cushion Washer - Spool	69	TW058 Bearing - Crankshaft Top
16	QW067 Worm Shaft Bushing	43	QW033 Spool Tension Knob	70	TW035 Washer - Crankshaft
17	QW347 Line Guide Carrier	44	QW073 Ring - Thumb Screw Ret.	71	CX4862 Spring "D" Washer
18	QW006 Line Guide Pawl	45	QW374 Thumb Screw	72	QW055 Drag Star
19	QW035-3 Washer (L/G Pawl)	46	QW125 Screw - Spool Cover	73	CX4860 Handle Washer
20	TW007 Line Guide Carrier Screw	47	QW076 Screw - Magnet Ring	74	QW318 Handle Assy.
21	QW016 Worm Shaft Guide	48	SW009 Thumb Bar	75	QW003 Handle Nut
22	QW072 Worm Shaft	49	SW067 Flippin' Switch	76	QW034 Handle Nut Cap
23	QW085 Level Wind Gear	50	QW097 Spring - Kick Lever	77	QW123 Handle Nut Cap Screw
24	VX4243 E-Ring (L/W Gear)	51	SW039 Release Slider	78	SW121 Washer - Release Slider
25	TW061 Stabilizer Bar	52	UW076 Screw - Release Slider	79	UW026 Magnet Control Cam
26	VX4243 E-Ring (Stabilizer Bar)	53	SW041 Spring Anchor	80	TW110 Click Spring Retainer
27	TW099 Front Support	54	SW104 Spring - Release Slider	81	TW114 Click Spring

PLEASE ORDER BY PART NUMBER

Rev. 1/92

Zebco Division Brunswick Corporation, Box 270, Tulsa, OK 74101 USA 918-836-5581



BRUNSWICK