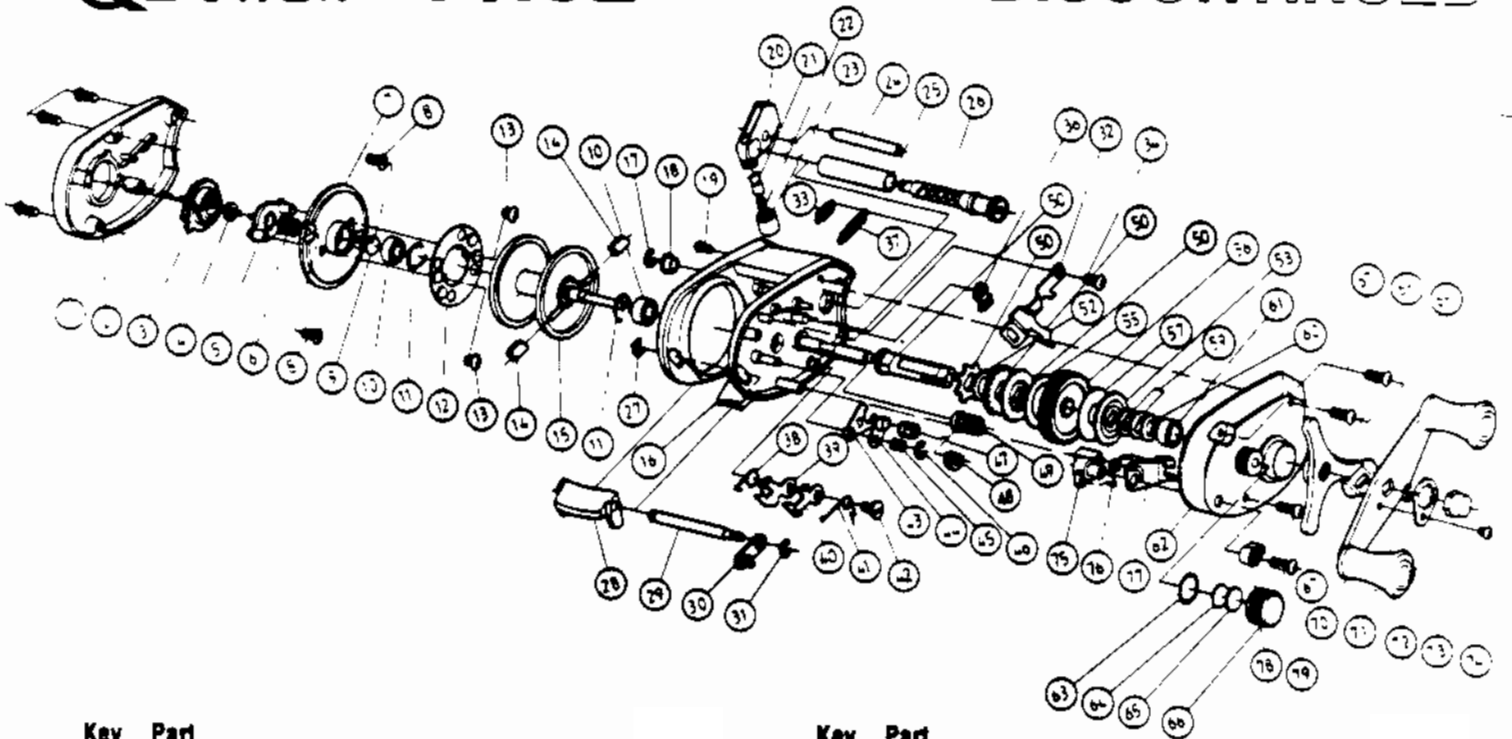


QUANTUM PRO2

DISCONTINUED



Key No.	Part No.	Description
	KX4110	L-SIDE PLT. SCR. WSHR.
	WX4411	L. SIDE THUMB BAR SPRG.
1	VX4102	SIDE COVER SCREW
2	PX323	LEFT SIDE COVER
3	VX4303	MAGNET CONTROL DIAL
4	VX4250	DIAL FRICTION RING
5	VX4261	SLIDE CAM
6	VX4301	SLIDE CAM SPRING
7	VX4108	SPOOL COVER
8	VX4106	SPOOL COVER SCREW
9	VX4255	SPOOL TENSION SHIM
10	VX4252	BALL BEARING (SPOOL SH
11	VX4253	CLIP RING
12	VX4257	MAGNET PLATE ASSY
13	VX4602	MAGNET PLATE SCREW
14	VX4603	CENTRIFUGAL BRAKE SHOE
15	VX4251	SPOOL ASSY
16	WX4051	FRAME ASSY.
17	VX4152	E-CLIP (WORM SHAFT)
18	VX4156	WORM SHAFT BUSHING
19	VX4155	CARRIER GUIDE SCREW
20	VX4201	LINE GUIDE CARRIER
21	VX4202	LINE GUIDE PAWL
22	CX4203	LINE GUIDE PAWL SPRING
23	VX4204	LINE GUIDE CARRIER SCREW
24	VX4159	CARRIER GUIDE
25	VX4158	WORM SHAFT GUIDE
26	VX4151	WORM SHAFT ASSY.
27	WX4665	E-CLIP
28	WX4406	THUMB BAR
29	WX4404	THUMB BAR PIN
30	WX4405	LINK (THUMB BAR)
31	WX4153	E-CLIP (THUMB BAR)
32	WX4402	RELEASE SLIDER
33	WX4502	RELEASE SLIDER SPRING
34	WX4656	RELEASE SLIDER SCREW
36	VX4452	A/R PAWL
37	WX4410	THUMB BAR SPRING
38	VX4541	LATCH-BOTTOM SPRING

WWW.REELDR.COM

Key No.	Part No.	Description
39	VX4501	LATCH-BOTTOM
40	VX4503	LATCH-TOP
41	VX4543	LATCH-TOP SPRING
42	VX4505	LATCH SCREW
43	WX4401	PINION YOKE
44	VX4411	SPRING ANCHOR
45	VX4412	CONICAL SPRING
46	VX4243	E-CLIP
47	VX4403	YOKE SPRING
48	VX4400	PINION COLLAR
49	VX4256	PINION GEAR
50	VX4652	CRANK SHAFT ASSY.
51	VX4243	E-CLIP
54	CW069	MYLAR WASHER
55	VX4659	DRAG B WASHER (L)
56	VX4651	DRIVE GEAR
57	VX4666	DRAG B WASHER (U)
58	VX4667	DRAG D WASHER (U)
59	VX4662	SPRING D WASHER
60	VX4200	BEARING COLLAR
61	VX4254	BALL BEARING (CRANK SH
62	WX4103	RIGHT SIDE COVER
63	VX4258	TENSION KNOB RING
64	VX4302	SPOOL TENSION KNOB WAS
65	VX4601	SPOOL TENSION KNOB CUS
66	VX4259	SPOOL TENSION KNOB
67	VX4352	RIGHT SIDE COVER SCREW
68	VX4663	STAR DRAG ASSY.
69	VX4660	HANDLE WASHER
70	VX4701	HANDLE ASSY.
71	VX4657	E-CLIP (CRANK SHAFT)
72	GX4703	HANDLE NUT LOCK
73	GX4702	HANDLE NUT
74	VX4704	HANDLE NUT LOCK SCREW
75	WX4507	FLIPP'N ARM
76	WX4508	SPRING-FLIPP'N LEVER
77	WX4509	FLIPP'N SPRING SUPPORT
78	WX4506	FLIPP'N LEVER
79	WX4510	FLIPP'N LEVER SCREW

Prices subject to change without notice. Prices do not include postage and handling. Some parts may not be available.

PLEASE ORDER BY PART NUMBER

Rev. 5/93

Zebco Division Brunswick Corporation, Box 270, Tulsa, OK 74101 USA 918-836-5581

