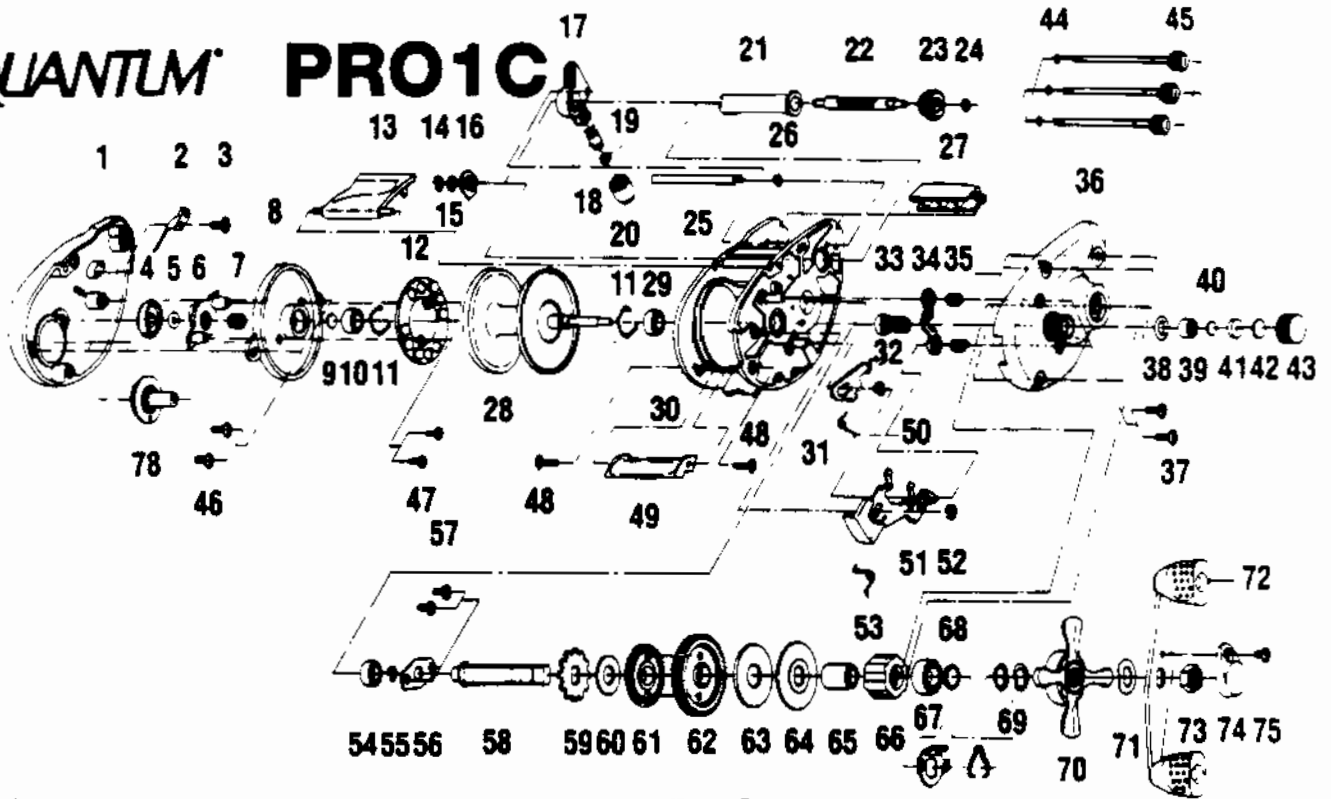


QUANTUM PRO1C



Key No.	Part No.	Description	Key No.	Part No.	Description
1	TW023	LEFT SIDE COVER	40	QW032-1	SPOOL TENSION KNOB
2	QW108	CLICKER	41	QW081	COLLAR
3	QW125	SPOOL COVER SCREW	42	QW082	SPOOL CUSHION WASHER
4	UW026	MAGNET CONTROL CAM	43	TW033	SPOOL TENSION KNOB
5	CX4250	O RING	44	QW073	RING-THUMB SCREW RET
6	QW028	SLIDE CAM	45	QW374	THUMB SCREW
7	CX4301	MAGNET RET. SPRING	46	QW125	SPOOL COVER SCREW
8	QW051	SPOOL COVER	47	QW076	SCREW
9	QW032-1	SPOOL TENSION KNOB	48	QW050	THUMB REST SCREW
10	SW017	CRANK SHAFT BEARING	49	QW009	THUMB REST
11	QW080	CLIP RING	50	QW097	KICK LEVER SPRING
12	QW330	MAGNET PLATE ASSY	51	QW339	RELEASE SLIDER ASSY
13	TW027	HOOD	52	CX4152	WORM SHAFT RETAINER
14	ZX4657	RETAINER CLIP	53	QW104	RELEASE SLIDER SPRING
15	QW035-3	WASHER - WORM SHAFT	54	QW017	CRANK SHAFT BEARING
16	QW067	WORM SHAFT BUSHING	55	CX4152	WORM SHAFT RETAINER
17	QW347	LINE GUIDE CARRIER	56	QW002	CRANK SHAFT RETAINER
18	QW006	LINE GUIDE PAWL	57	TW107	CRANK SHAFT RET. SCREW
19	QW035-3	WASHER - WORM SHAFT	58	QW008	CRANK SHAFT
20	TW007	LINE GUIDE CARRIER SCREW	59	QW083	TRIP RATCHET
21	QW016	WORM SHAFT GUIDE	60	QW111	WASHER
22	QW072	WORM SHAFT	61	QW112	GEAR - LW IDLER
23	QW085	LEVEL WIND GEAR	62	QW012	DRIVE GEAR
24	VX4243	E-CLIP	63	QW059	DRAG DISC
25	TW061	STABILIZER BAR	64	QW045	DRAG WASHER
26	VX4243	E-CLIP	65	QW052	CLUTCH SLEEVE
27	TW099	FRONT SUPPORT	66	QW063	ANTI-REVERSE CLUTCH
28	QW321	SPOOL ASSY	67	TW058	BEARING - CRANK SHAFT TOP
29	SW017	CRANK SHAFT BEARING	68	TW035	CRANK SHAFT WASHER
30	TW001	FRAME	69	CX4662	DRIVE SHAFT SPR. WSHR
31	QW077	KICK LEVER	70	QW055	DRAG STAR
32	CX4152	WORM SHAFT RETAINER	71	CX4660	HANDLE WASHER
33	QW311	PINION GEAR	72	TW318	HANDLE ASSY
34	QW025	PINION YOKE	73	QW003	HANDLE NUT
35	QW040	PINION YOKE SPRING	74	QW034	HANDLE NUT CAP
36	TW324	RIGHT SIDE COVER	75	QW123-1	HANDLE NUT CAP SCREW
37	QW053-2	RIGHT SIDE COVER SCREW	76	TW110	CLICK SPRING RETAINER
38	CX4258	O RING	77	TW114	CLICK SPRING
39	QW117	BEARING	78	TW026	MAGNET CONTROL DIAL

WWW.REELDR.COM

Prices subject to change without notice. Prices do not include postage and handling.

PLEASE ORDER BY PART NUMBER

Rev. 5/93

Zebco Division Brunswick Corporation, Box 270, Tulsa, OK 74101 USA 918-836-5581

