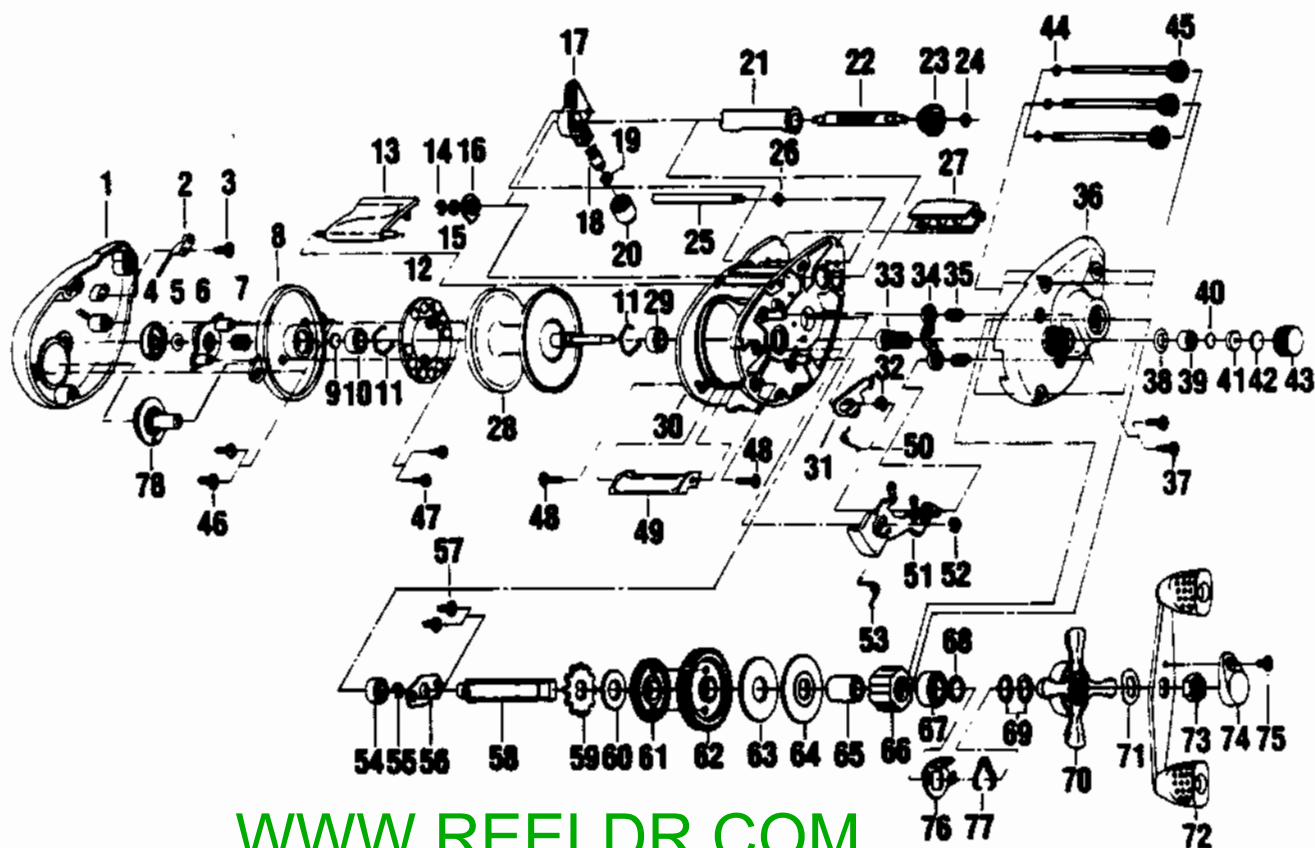


QUANTUM Pro1C



WWW.REELDR.COM

KEY PART NO. NO.

NO.	NO.	DESCRIPTION
1	TW023	Left Side Cover
2	QW108	Clicker
3	QW125	Screw - Clicker
4	UW026	Magnet Control Cam
5	CX4250	Dial Friction Ring
6	QW028	Slide Cam
7	CX4301	Slide Cam Spring
8	QW051	Spool Cover
9	QW032-1	Spool Tension Shim
10	SW017	Bearing
11	QW080	Clip Ring
12	QW330	Magnet Plate Assy.
13	TW027	Hood
14	ZX4657	E-Clip (Worm Shaft)
15	QW035-3	Washer (Worm Shaft)
16	QW067	Worm Shaft Bushing
17	QW347	Line Guide Carrier
18	QW006	Line Guide Pawl
19	QW035-3	Washer (L/G Pawl)
20	TW007	Line Guide Carrier Screw
21	QW016	Worm Shaft Guide
22	QW072	Worm Shaft
23	QW085	Level Wind Gear
24	VX4243	E-Ring (L/W Gear)
25	TW061	Stabilizer Bar
26	VX4243	E-Ring (Stabilizer Bar)

KEY PART NO. NO.

NO.	NO.	DESCRIPTION
27	TW099	Front Support
28	QW321	Spool Assy.
29	SW017	Bearing
30	TW001	Frame
31	QW077	Kick Lever
32	CX4152	E-Ring (Kick Lever)
33	QW311	Pinion Gear
34	QW025	Pinion Yoke
35	QW040	Spring-Pinion Yoke
36	TW324	Right Side Cover
37	QW053-2	Screw (Rt. Side Cover)
38	CX4258	Tension Knob Ring
39	QW117	Bearing
40	QW032-1	Washer - Spool Tension
41	QW081	Collar
42	QW082	Cushion Washer - Spool
43	TW033	Spool Tension Knob
44	QW073	Ring - Thumb Screw Ret.
45	QW374	Thumb Screw
46	QW125	Screw - Spool Cover
47	QW078	Screw - Magnet Ring
48	QW050	Screw - Thumb Rest
49	QW009	Thumb Rest
50	QW097	Spring - Kick Lever
51	QW339	Release Slider Assy.
52	CX4152	E-Ring Release Slider

KEY PART NO. NO.

NO.	NO.	DESCRIPTION
53	QW104	Spring - Release Slider
54	QW017	Bearing - Crankshaft
55	CX4152	E-Ring - Crankshaft
56	QW002	Retainer - Crankshaft
57	TW107	Screw - Crankshaft Retainer
58	QW008	Crankshaft
59	QW083	Trip Ratchet
60	QW111	Washer
61	QW112	Gear - L/W Idler
62	QW012	Drive Gear
63	QW059	Drag Disc
64	QW045	Drag Washer
65	QW052	Clutch Sleeve
66	QW063	Anti-Reverse Clutch
67	TW058	Bearing - Crankshaft Top
68	TW035	Washer - Crankshaft
69	CX4662	Spring D Washer
70	QW055	Drag Star
71	CX4660	Handle Washer
72	TW318	Handle Assy.
73	QW003	Handle Nut
74	QW034	Handle Nut Cap
75	QW123	Handle Nut Cap Screw
76	TW110	Click Spring Retainer
77	TW114	Click Spring
78	TW026	Magnet Control Dial

PLEASE ORDER BY PART NUMBER

Rev. 1/92

Zebco Division Brunswick Corporation, Box 270, Tulsa, OK 74101 USA 918-836-5581

