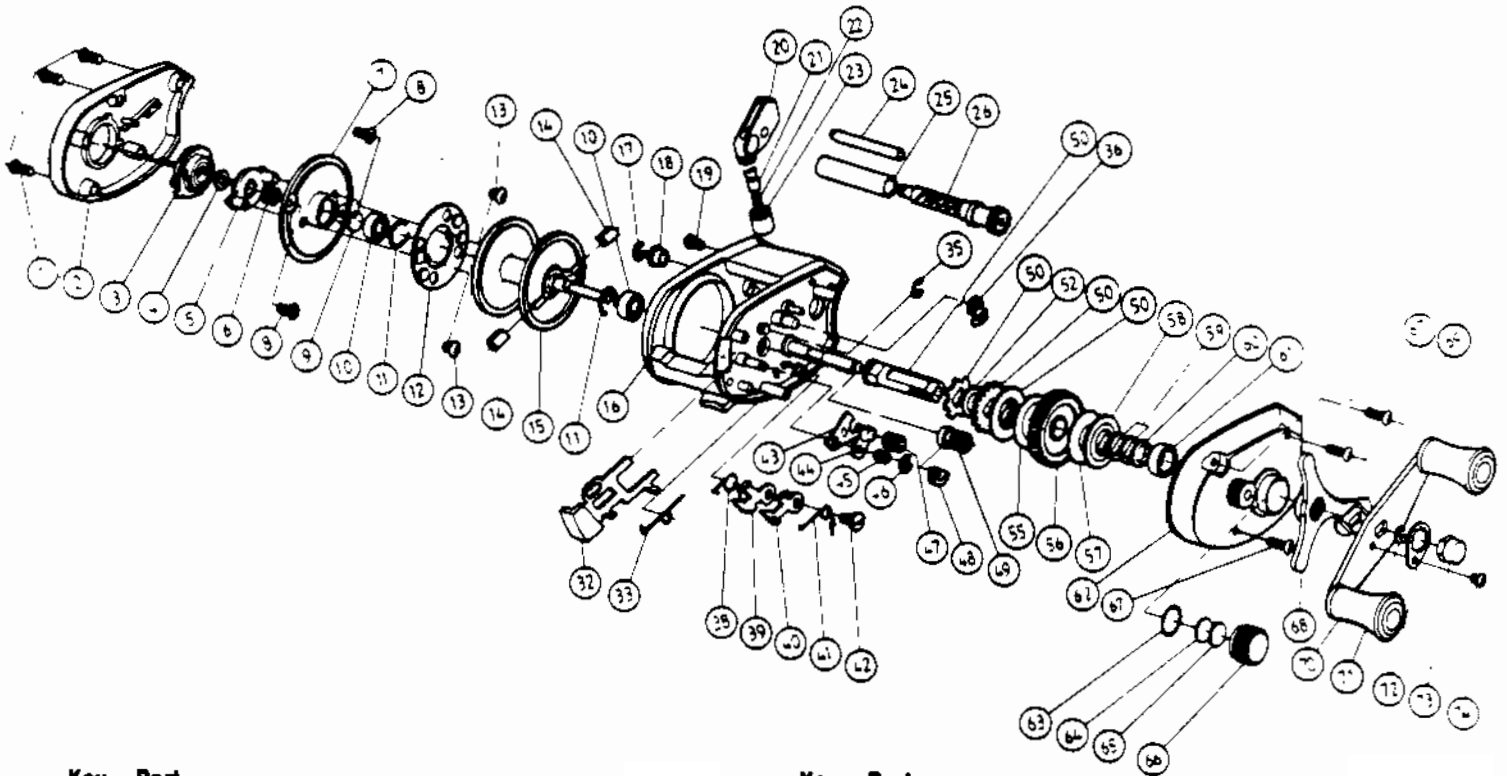


QUANTUM PRO1

DISCONTINUED



Key No.	Part No.	Description	Key No.	Part No.	Description
	KX4110	L-SIDE PLT. SCR. WSHR.	40	VX4503	LATCH-TOP
1	VX4102	SIDE COVER SCREW	41	VX4543	LATCH-TOP SPRING
2	PX323	LEFT SIDE COVER	42	VX4505	LATCH SCREW
3	VX4303	MAGNET CONTROL DIAL	43	VX4401	PINION YOKE
4	VX4250	DIAL FRICTION RING	44	VX4411	SPRING ANCHOR
5	VX4261	SLIDE CAM	45	VX4412	CONICAL SPRING
6	VX4301	SLIDE CAM SPRING	46	VX4243	E-CLIP
7	VX4108	SPOOL COVER	47	VX4403	YOKE SPRING
8	VX4106	SPOOL COVER SCREW	48	VX4400	PINION COLLAR
9	VX4255	SPOOL TENSION SHIM	49	VX4256	PINION GEAR
10	VX4252	BALL BEARING (SPOOL SH)	50	VX4652	CRANK SHAFT ASSY.
11	VX4253	CLIP RING	51	CW099	SCREW SLIDER RETAINER
12	VX4257	MAGNET PLATE ASSY	54	CW069	MYLAR WASHER
13	VX4602	MAGNET PLATE SCREW	55	VX4659	DRAG B WASHER (L)
14	VX4603	CENTRIFUGAL BRAKE SHOE	56	VX4651	DRIVE GEAR
15	VX4251	SPOOL ASSY	57	VX4666	DRAG B WASHER (U)
16	VX4051	FRAME ASSY.	58	VX4667	DRAG D WASHER (U)
17	VX4152	E-CLIP (WORM SHAFT)	59	VX4662	SPRING D WASHER
18	VX4156	WORM SHAFT BUSHING	60	VX4200	BEARING COLLAR
19	VX4155	CARRIER GUIDE SCREW	61	VX4254	BALL BEARING (CRANK SH)
20	VX4201	LINE GUIDE CARRIER	62	VX4103	RIGHT SIDE COVER
21	VX4202	LINE GUIDE PAWL	63	VX4258	TENSION KNOB RING
22	CX4203	LINE GUIDE PAWL SPRING	64	VX4302	SPOOL TENSION KNOB WAS
23	VX4204	LINE GUIDE CARRIER SCREW	65	VX4601	SPOOL TENSION KNOB CUS
24	VX4159	CARRIER GUIDE	66	VX4259	SPOOL TENSION KNOB
25	VX4158	WORM SHAFT GUIDE	67	VX4352	RIGHT SIDE COVER SCREW
26	VX4151	WORM SHAFT ASSY.	68	VX4663	STAR DRAG ASSY.
32	VX4402	RELEASE SLIDER (ASSY.)	69	VX4660	HANDLE WASHER
33	VX4502	RELEASE SLIDER SPRING	70	VX4701	HANDLE ASSY.
35	VX4656	E-CLIP (SLIDER)	71	VX4657	E-CLIP (CRANK SHAFT)
36	VX4452	A/R PAWL	72	GX4703	HANDLE NUT LOCK
38	VX4541	LATCH-BOTTOM SPRING	73	GX4702	HANDLE NUT
39	VX4501	LATCH-BOTTOM	74	VX4704	HANDLE NUT LOCK SCREW

WWW.REELDR.COM

Prices subject to change without notice. Prices do not include postage and handling. Some parts may not be available.

PLEASE ORDER BY PART NUMBER

Rev. 5/93

Zebco Division Brunswick Corporation, Box 270, Tulsa, OK 74101 USA 918-836-5581

