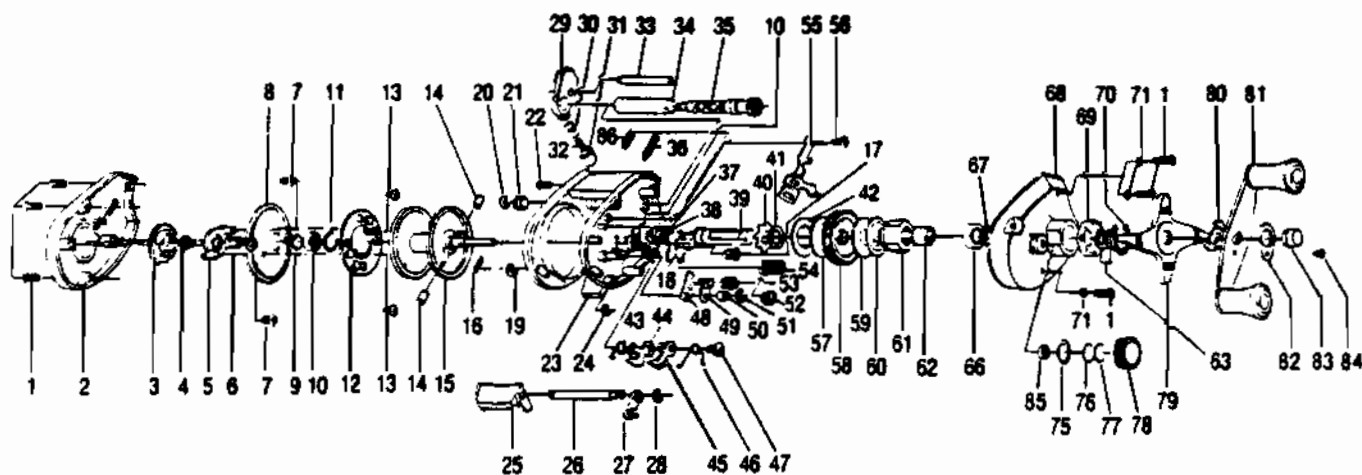


# QUANTUM® PRO3



**KEY PART  
NO. NO.**

|    |        |                          |
|----|--------|--------------------------|
| 1  | VX4102 | SIDE COVER SCREW         |
| 2  | KW323  | SIDE COVER ASSY.         |
| 3  | VX4303 | MAGNET CONTROL DIAL      |
| 4  | VX4250 | DIAL FRICTION RING       |
| 5  | VX4261 | SLIDE CAM                |
| 6  | VX4301 | SLIDE CAM SPRING         |
| 7  | VX4106 | SPOOL COVER SCREW        |
| 8  | VX4108 | SPOOL COVER              |
| 9  | VX4255 | SPOOL TENSION SHIM       |
| 10 | VX4252 | BALL BEARING (SPOOL SH   |
| 11 | VX4253 | CLIP RING                |
| 12 | VX4257 | MAGNET PLATE ASSY        |
| 13 | VX4602 | MAGNET PLATE SCREW       |
| 14 | VX4603 | CENTRIFUGAL BRAKE SHOE   |
| 15 | KW321  | SPOOL ASSY.              |
| 16 | WX4411 | L. SIDE THUMB BAR SPRG.  |
| 17 | GW107  | CTR. SHAFT RET. SCREW    |
| 18 | KW002  | CRANK SHAFT RETAINER     |
| 19 | WX4665 | E-CLIP                   |
| 20 | VX4152 | E-CLIP (WORM SHAFT)      |
| 21 | VX4156 | WORM SHAFT BUSHING       |
| 22 | VX4155 | CARRIER GUIDE SCREW      |
| 23 | KW301  | FRAME ASSY.              |
| 24 | VX4243 | E-CLIP (YOKE)            |
| 25 | WX4406 | THUMB BAR                |
| 26 | WX4404 | THUMB BAR PIN            |
| 27 | WX4405 | LINK (THUMB BAR)         |
| 28 | WX4153 | E-CLIP (THUMB BAR)       |
| 29 | VX4201 | LINE GUIDE CARRIER       |
| 30 | VX4202 | LINE GUIDE PAWL          |
| 31 | VX4204 | LINE GUIDE CARRIER SCREW |
| 32 | CX4203 | LINE GUIDE PAWL SPRING   |
| 33 | VX4159 | CARRIER GUIDE            |
| 34 | VX4158 | WORM SHAFT GUIDE         |
| 35 | KW372  | WORM SHAFT ASSY.         |
| 36 | WX4410 | THUMB BAR SPRING         |
| 37 | KW056  | BEARING CRANKSHAFT-LOWER |
| 38 | KW075  | E-CLIP (C-SHAFT-LOWER)   |
| 39 | KW008  | CRANK SHAFT              |
| 40 | NX083  | TRIP RATCHET             |
| 41 | NX111  | RATCHET WASHER           |

**KEY PART  
NO. NO.**

|    |        |                        |
|----|--------|------------------------|
| 42 | NX045  | DRAG WASHER-LOWER      |
| 43 | VX4541 | LATCH-BOTTOM SPRING    |
| 44 | VX4501 | LATCH-BOTTOM           |
| 45 | VX4503 | LATCH-TOP              |
| 46 | VX4543 | LATCH-TOP SPRING       |
| 47 | VX4505 | LATCH SCREW            |
| 48 | VX4401 | PINION YOKE            |
| 49 | VX4411 | SPRING ANCHOR          |
| 50 | VX4412 | CONICAL SPRING         |
| 51 | VX4243 | E-CLIP (YOKE)          |
| 52 | VX4400 | PINION COLLAR          |
| 53 | VX4403 | YOKE SPRING            |
| 54 | KW311  | PINION GEAR ASSY.      |
| 55 | WX4402 | RELEASE SLIDER         |
| 56 | WX4656 | RELEASE SLIDER SCREW   |
| 57 | KW060  | DRAG DISC - LOWER      |
| 58 | KW012  | DRIVE GEAR             |
| 59 | KW059  | DRAG DISC - UPPER      |
| 60 | KW048  | DRAG WASHER - UPPER    |
| 61 | KW063  | ANTI-REVERSE CLUTCH    |
| 62 | KW052  | CLUTCH SLEEVE          |
| 63 | VX4662 | SPRING D WASHER        |
| 66 | VX4254 | BALL BEARING (CRANK SH |
| 67 | KW035  | BEARING WASHER         |
| 68 | KW024  | RIGHT SIDE COVER       |
| 69 | KW110  | RETAINER CLICK SPRING  |
| 70 | KW114  | CLICK SPRING           |
| 71 | CW069  | MYLAR WASHER           |
| 75 | VX4258 | TENSION KNOB RING      |
| 76 | VX4302 | SPOOL TENSION KNOB WAS |
| 77 | VX4601 | SPOOL TENSION KNOB CUS |
| 78 | VX4259 | SPOOL TENSION KNOB     |
| 79 | KW055  | DRAG STAR              |
| 80 | VX4660 | HANDLE WASHER          |
| 81 | VX4701 | HANDLE ASSY.           |
| 82 | GX4703 | HANDLE NUT LOCK        |
| 83 | GX4702 | HANDLE NUT             |
| 84 | VX4704 | HANDLE NUT LOCK SCREW  |
| 85 | KW117  | BEARING - SPOOL SHAFT  |
| 86 | WX4502 | RELEASE SLIDER SPRING  |

[WWW.REELDR.COM](http://WWW.REELDR.COM)

Prices subject to change without notice. Prices do not include postage and handling.

**PLEASE ORDER BY PART NUMBER**

Rev. 11/90

Zebco Division Brunswick Corporation, Box 270, Tulsa, OK 74101 USA 918-838-5561

