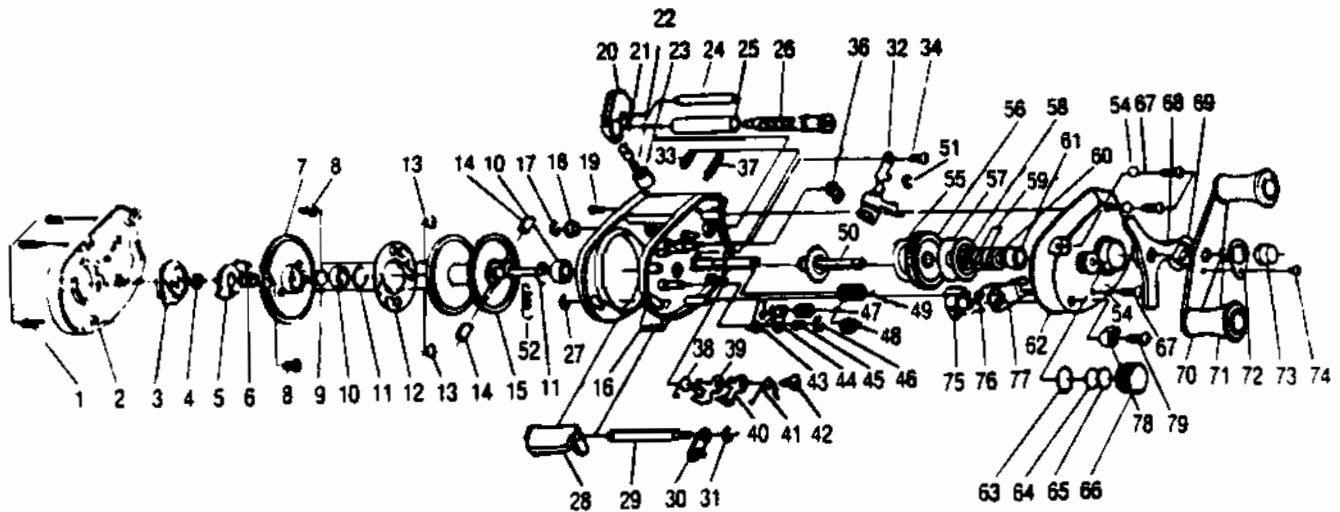


QUANTUM PRO 2



**KEY PART
NO. NO.**

KX4110	L-SIDE PLT. SCR. WSHR.
WX4411	L. SIDE THUMB BAR SPRG.
1 VX4102	SIDE COVER SCREW
2 PX323	LEFT SIDE COVER
3 VX4303	MAGNET CONTROL DIAL
4 VX4250	DIAL FRICTION RING
5 VX4261	SLIDE CAM
6 VX4301	SLIDE CAM SPRING
7 VX4108	SPOOL COVER
8 VX4106	SPOOL COVER SCREW
9 VX4255	SPOOL TENSION SHIM
10 VX4252	BALL BEARING (SPOOL SH
11 VX4253	CLIP RING
12 VX4257	MAGNET PLATE ASSY
13 VX4602	MAGNET PLATE SCREW
14 VX4603	CENTRIFUGAL BRAKE SHOE
15 VX4251	SPOOL ASSY
16 WX4051	FRAME ASSY.
17 VX4152	E-CLIP (WORM SHAFT)
18 VX4156	WORM SHAFT BUSHING
19 VX4155	CARRIER GUIDE SCREW
20 VX4201	LINE GUIDE CARRIER
21 VX4202	LINE GUIDE PAWL
22 CX4203	LINE GUIDE PAWL SPRING
23 VX4204	LINE GUIDE CARRIER SCREW
24 VX4159	CARRIER GUIDE
25 VX4158	WORM SHAFT GUIDE
26 VX4151	WORM SHAFT ASSY.
27 WX4665	E-CLIP
28 WX4406	THUMB BAR
29 WX4404	THUMB BAR PIN
30 WX4405	LINK (THUMB BAR)
31 WX4153	E-CLIP (THUMB BAR)
32 WX4402	RELEASE SLIDER
33 WX4502	RELEASE SLIDER SPRING
34 WX4656	RELEASE SLIDER SCREW
36 VX4452	A/R PAWL
37 WX4410	THUMB BAR SPRING
38 VX4541	LATCH-BOTTOM SPRING
39 VX4501	LATCH-BOTTOM

**KEY PART
NO. NO.**

40 VX4503	LATCH-TOP
41 VX4543	LATCH-TOP SPRING
42 VX4505	LATCH SCREW
43 WX4401	PINION YOKE
44 VX4411	SPRING ANCHOR
45 VX4412	CONICAL SPRING
46 VX4243	E-CLIP
47 VX4403	YOKE SPRING
48 VX4400	PINION COLLAR
49 VX4256	PINION GEAR
50 VX4652	CRANK SHAFT ASSY.
51 VX4243	E-CLIP
54 CW069	MYLAR WASHER
55 VX4659	DRAG B WASHER (L)
56 VX4651	DRIVE GEAR
57 VX4666	DRAG B WASHER (U)
58 VX4667	DRAG D WASHER (U)
59 VX4662	SPRING D WASHER
60 VX4200	BEARING COLLAR
61 VX4254	BALL BEARING (CRANK SH
62 WX4103	RIGHT SIDE COVER
63 VX4258	TENSION KNOB RING
64 VX4302	SPOOL TENSION KNOB WAS
65 VX4601	SPOOL TENSION KNOB CUS
66 VX4259	SPOOL TENSION KNOB
67 VX4352	RIGHT SIDE COVER SCREW
68 VX4663	STAR DRAG ASSY.
69 VX4660	HANDLE WASHER
70 VX4701	HANDLE ASSY.
71 VX4657	E-CLIP (CRANK SHAFT)
72 GX4703	HANDLE NUT LOCK
73 GX4702	HANDLE NUT
74 VX4704	HANDLE NUT LOCK SCREW
75 VX4507	FLIPP'N ARM
76 WX4508	SPRING-FLIPP'N LEVER
77 WX4509	FLIPP'N SPRING SUPPORT
78 WX4506	FLIPP'N LEVER
79 WX4510	FLIPP'N LEVER SCREW

WWW.REELDR.COM

Prices subject to change without notice. Prices do not include postage and handling.

PLEASE ORDER BY PART NUMBER

Rev. 11/90

Zebco Division Brunswick Corporation, Box 270, Tulsa, OK 74101 USA 918-836-6681

