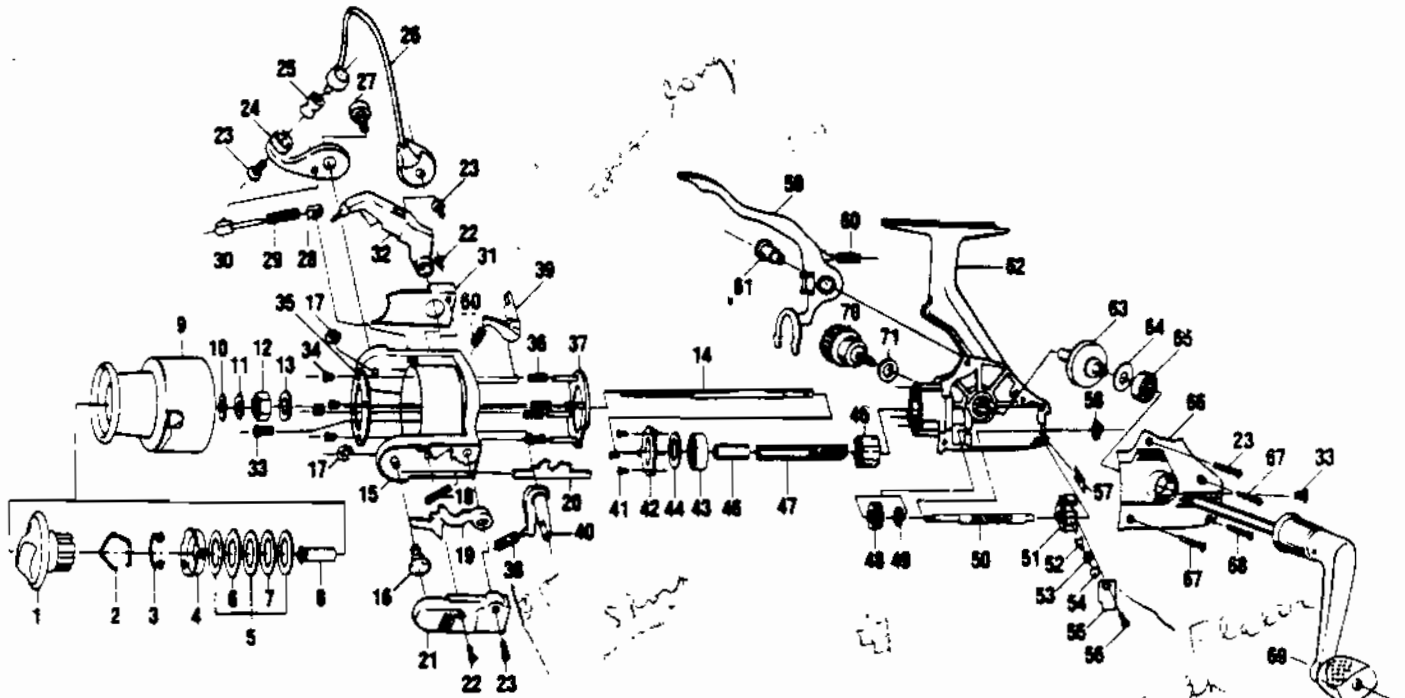


QUANTUM HC3



Key No.	Part No.	Description
1	UQ332	DRAG KNOB ASSEMBLY
2	AQ038	DRAG RETAINER
3	AQ027	DRAG KNOB CLICK CLAW
4	AQ050	SPOOL WASHER 'C'
5	AQ033	SPOOL WASHER 'A'
6	AQ029	SPOOL WASHER 'B'
8	UQ160	SPOOL SLEEVE
9	JQ321	SPOOL ASSEMBLY
10	BQ030	SPOOL ADJ. WASHER
11	BQ037	SPOOL CLICK CLAW
12	QL006	ROTOR NUT
13	TI.065	ROTOR RETAINER WASHER
14	UQ015	MAIN SHAFT
15	UQ009	ROTOR
16	UQ052	BAIL HOLDER PIN
17	WX4665	E-CLIP
18	UQ049	KICK LEVER SPRING
19	UQ096	LINK HOLDER
20	UQ019	KICK LEVER
21	UQ024	KICK LEVER COVER
22	AQ085-2	SCREW
23	AQ108-2	SCREW
24	UQ007	ARM LEVER
25	EQ004	LINE ROLLER
26	UQ347	BAIL ASSEMBLY
27	UQ051	ARM LEVER PIN
28	UQ020	BAIL SPRING HOLDER
29	UQ022	BAIL SPRING
30	UQ031	BAIL SPRING SHAFT
31	UQ087	BAIL SPRING COVER
32	UQ397	TRIP LINK ASSEMBLY
33	UQ057	SCREW
34	UQ123	PLATE SCREW
35	UQ118	BAIL PLATE
36	UQ119	SHAFT SPRING

WWW.REELDR.COM

Key No.	Part No.	Description
37	UQ351	BAIL PLATE ASSY
38	UQ153	LINK SHAFT SPRING (SOFT)
39	UQ151	LINK SHAFT ARM
40	UQ152	LINK SHAFT HOLDER
41	UQ080	BEARING PLATE SCREW
42	UQ040	BEARING PLATE
43	BQ028	B/BEARING - ROTOR
44	UQ110	ROTOR WASHER
45	UQ063	CLUTCH BEARING
46	KW052-2	BEARING SLEEVE
47	UQ011	PINION GEAR
48	UQ200	LEVEL WIND GEAR
49	UQ202	BUSHING WASHER (L)
50	UQ201	WORM SHAFT
51	UQ204	PAWL HOLDER
52	UQ207	PAWL
53	UQ208	COLLAR - LW PAWL
54	UQ209	WASHER - LW PAWL
55	UQ205	RETAINER - PAWL HOLDER
56	UQ100	SCREW - MAIN SHAFT
57	UQ206	RETAINER - WORM SHAFT
58	UQ203	BUSHING WASHER (R)
59	UQ352	BAIL TRIP LEVER ASSY
60	UQ117	SPRING - B/T LEVER
61	UQ116	LEVER SHAFT
62	UQ301	BODY
63	UQ012	DRIVE GEAR
64	AQ026-2	WASHER
65	EQ157	B/B BODY COVER
66	UQ023	BODY COVER
67	AQ057-2	SCREW
68	KQ057-2	SCREW
69	UQ318	HANDLE ASSEMBLY
70	UQ073	HANDLE SCREW CAP
71	BQ105	HANDLE CAP WASHER

Prices subject to change without notice. Prices do not include postage and handling.

PLEASE ORDER BY PART NUMBER

Rev. 5/93

Zebco Division Brunswick Corporation, Box 270, Tulsa, OK 74101 USA 918-836-5581

