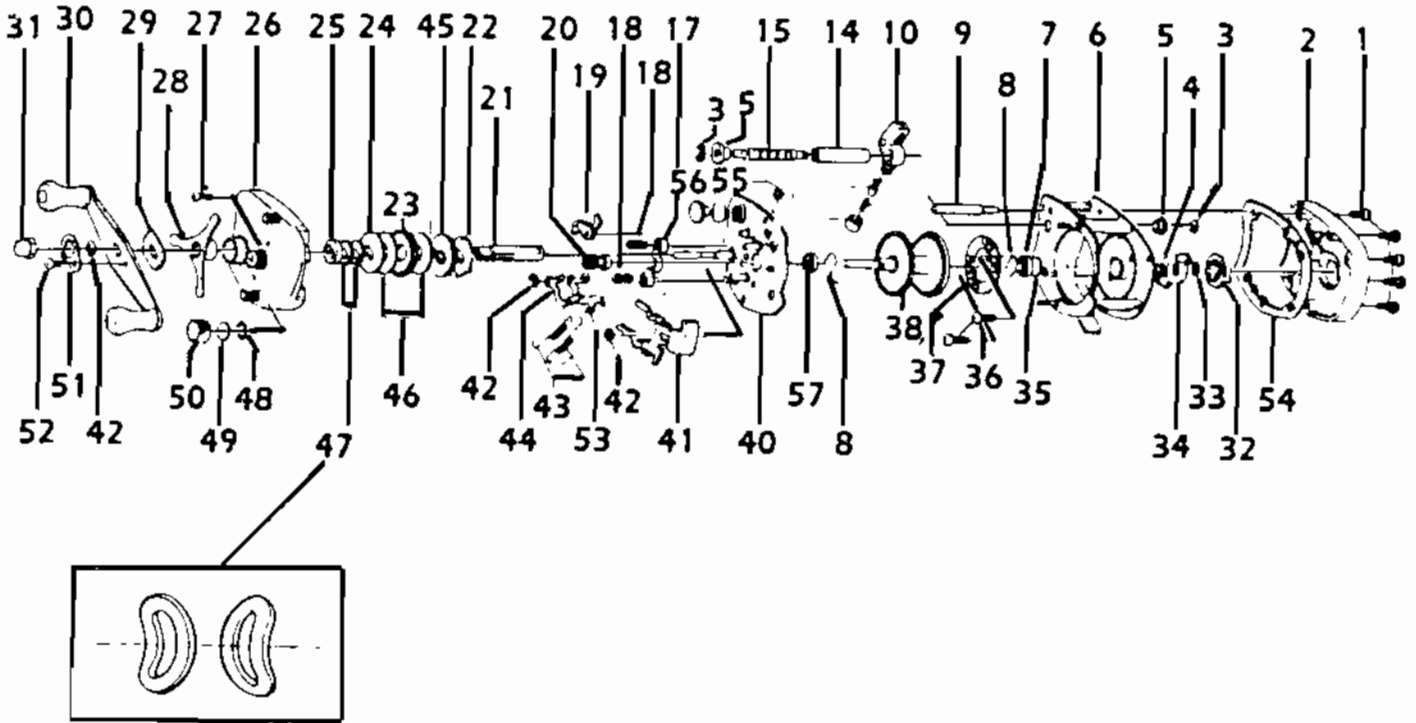


QUANTUM 1311MG



Key No.	Part No.	Description	Key No.	Part No.	Description
1	LX4102	Right Side Plate Screw	33	CX4250	O Ring
2	LX4101-1	Right Side Plate	34	CX4261	Magnet Retainer Support
3	CX4152	Worm Shaft Retainer	35	CX4255	Spool Tension Shim A
4	CX4301	Magnet Retainer Spring	36	CX4602	Magnet Retainer Screw
5	CX4156	Worm Guard Bushing	37	CX4257	Magnet Retainer
6	LX4051-2	Frame	38	LX4251	Spool
7	CX4252	Spool Shaft Bearing	40	LX4351-1	Set Plate (incl. 16, 40, 4173, 42(2), 44, 53)
8	CX4253	Bearing Retainer	41	LX4402-1	Spool Release Button
9	EX4159	Frame Post - Silver	42	CX4656	Retainer Clip
10	NX4201	Line Guide	43	FX4353	Set Plate Actuator Spring
11	CX4203	Line Guide Pawl Spring	44	LX4503	Set Plate Actuator B
12	CX4202	Line Guide Pawl	45	LX4658	(Anti-Reverse Ratchet)
13	CX4204	Pawl Cap	46	CX4661-1	Drag Washer A
14	EX4158	Worm Shaft Guard - Silver	47	CX4662	Drive Shaft Spring Washer
15	FX4151-1	Worm Shaft	48	CX4258	O Ring
16	CX4502	Spool Release Spring	49	CX4302	Spool Tension Shim B
17	CX4401	Pinion Yoke	50	NX4259	Spool Tension Knob
18	CX4403	Pinion Yoke Spring	51	LX4703	Handle Nut Lock
19	LX4452	Anti-Reverse Pawl	52	LX4704	Handle Nut Lock Screw
20	LX4256	Pinion Gear	53	LX4501	Set Plate Actuator A
21	LX4652	Drive Shaft	54	NX4107	Right Side Plate Spacer
22	LX4451	Release Ratchet	55	CX4153	Gear Retaining Clip
23	LX4651	Drive Gear	56	LX4150	Worm Shaft Gear
24	CX4659	Drag Washer B	57	CX4252	Spool Shaft Bearing
25	CX4254	Drive Shaft Bushing		Not Shown.	
26	LX4103-1	Left Side Plate		T130	Wrench
27	LX4352	Left Side Cover Screw		CX4000	Spare Parts Kit w/Wrench (incl. 1, 8, 27, 35, 49, 52)
28	LX4663-1	Star Drag		NX4100	Level Wind Hood
29	CX4660	Handle Washer			
30	NX4701	Handle			
31	LX4702	Handle Nut			
32	CX4303	Magnetic Control Dial			

WWW.REELDR.COM

Prices subject to change without notice. Prices do not include postage and handling.

PLEASE ORDER BY PART NUMBER

Rev. 5/93

Zebco Division Brunswick Corporation, Box 270, Tulsa, OK 74101 USA 918-836-5581

