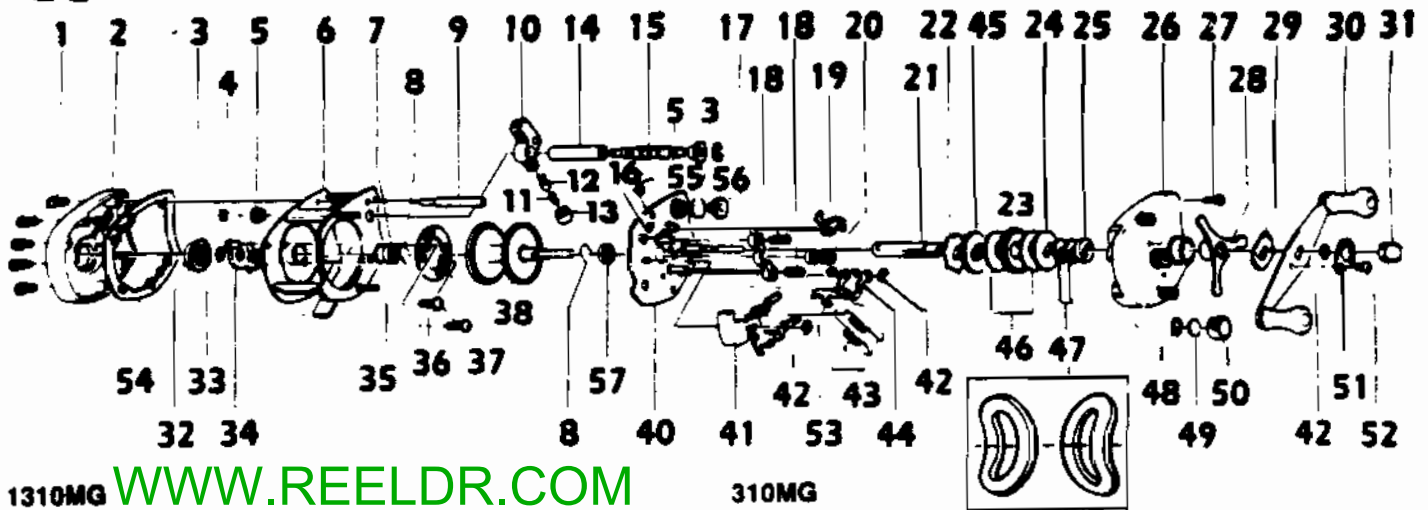


# QUANTUM® 1310MG/310MG



1310MG

[WWW.REELDR.COM](http://WWW.REELDR.COM)

310MG

**KEY PART**

NO.	NO.	DESCRIPTION
	CX4000	SPARE PARTS W/WRENCH
	NX4100	LEVEL WIND HOOD
	T130	WRENCH
1	LX4102	RIGHT SIDE PLATE SCR.
2	NX4101	LEFT SIDE PLATE
3	CX4152	WORM SHAFT RETAINER
4	CX4301	MAGNET RET. SPRING
5	CX4156	WORM GUARD BUSHING
6	NX4051	FRAME
7	CX4252	SPOOL SHFT BEARING
8	CX4253	BEARING RETAINER
9	BX4159	FRAME POST- SILVER
10	NX4201	LINE GUIDE
11	CX4203	LINE GUIDE PAWL SPRING
12	CX4202	LINE GUIDE PAWL
13	CX4204	PAWL CAP
14	BX4158	WORM SHFT GUARD-SILVER
15	CX4151-1	WORM SHAFT W/O GEAR
16	CX4502	SPOOL RELEASE SPRING
17	CX4401	PINION YOKE
18	CX4403	PINION YOKE SPRING
19	CX4452-1	DOUBLE ANTI-REV PAWL
20	NX4256	PINION GEAR
21	CX4652	DRIVE SHAFT
22	CX4451-1	RELEASE RATCHET
23	NX4651	DRIVE GEAR
24	CX4659	DRAG WASHER B
25	CX4254	DRIVE SHFT BUSH
26	NX4103	RIGHT SIDE PLATE
27	LX4352	LEFT SIDE CVR SCREW
28	NX4663	STAR DRAG
29	CX4660	HANDLE WASHER
30	NX4701	HANDLE ASSY.
31	NX4702	HANDLE NUT
32	NX4303	MAGNETIC CONTROL DIAL
33	CX4250	O RING
34	CX4261	MAGNET RET. SUPPORT
35	CX4255	SPOOL TENSION SHIM A
36	CX4602	MAGNET RETAINER SCREW
37	CX4257	MAGNET RETAINER
38	CX4251	SPOOL ASSY
40	NX4351	SET PLATE
41	NX4402	SPOOL RELEASE BUTTON
42	CX4656	RETAINER CLIP
43	CX4353	SET PLATE ACT. SPRING
44	CX4503-1	SET PLATE ACTUATOR B
45	CX4658-1	ANTI-REVERSE RATCHET
46	CX4661	DRAG WASHER A
47	CX4662	DRIVE SHAFT SPR. WSHR
48	CX4258	O RING
49	CX4302	SPOOL TENSION SHIM B
50	NX4259	SPOOL TENSION KNOB
51	LX4703	HANDLE NUT LOCK
52	LX4704	HANDLE NUT LOCK SCR.
53	CX4501-1	SET PLATE ACTUATOR A
54	NX4107	LEFT SIDE PLATE SPACER
55	CX4153	GEAR RETAINING CLIP
56	NX4150	WORM SHAFT GEAR
57	CX4252	SPOOL SHFT BEARING

**KEY PART**

NO.	NO.	DESCRIPTION
	CX4000	SPARE PARTS W/WRENCH
	NX4100	LEVEL WIND HOOD
	T130	WRENCH
1	LX4102	RIGHT SIDE PLATE SCR.
2	NX4101	LEFT SIDE PLATE
3	CX4152	WORM SHAFT RETAINER
4	CX4301	MAGNET RET. SPRING
5	CX4156	WORM GUARD BUSHING
6	NX4051	FRAME
7	BX4156	SPOOL SHAFT BUSHING
8	CX4253	BEARING RETAINER
9	BX4159	FRAME POST- SILVER
10	NX4201	LINE GUIDE
11	CX4203	LINE GUIDE PAWL SPRING
12	CX4202	LINE GUIDE PAWL
13	CX4204	PAWL CAP
14	BX4158	WORM SHFT GUARD-SILVER
15	CX4151-1	WORM SHAFT W/O GEAR
16	CX4502	SPOOL RELEASE SPRING
17	CX4401	PINION YOKE
18	CX4403	PINION YOKE SPRING
19	CX4452-1	DOUBLE ANTI-REV PAWL
20	NX4256	PINION GEAR
21	CX4652	DRIVE SHAFT
22	CX4451-1	RELEASE RATCHET
23	NX4651	DRIVE GEAR
24	CX4659	DRAG WASHER B
25	CX4254	DRIVE SHFT BUSH
26	OX4103	RIGHT SIDE PLATE
27	LX4352	LEFT SIDE CVR SCREW
28	NX4663	STAR DRAG
29	CX4660	HANDLE WASHER
30	NX4701	HANDLE ASSY.
31	NX4702	HANDLE NUT
32	NX4303	MAGNETIC CONTROL DIAL
33	CX4250	O RING
34	CX4261	MAGNET RET. SUPPORT
35	CX4255	SPOOL TENSION SHIM A
36	CX4602	MAGNET RETAINER SCREW
37	CX4257	MAGNET RETAINER
38	CX4251	SPOOL ASSY
40	NX4351	SET PLATE
41	NX4402	SPOOL RELEASE BUTTON
42	CX4656	RETAINER CLIP
43	CX4353	SET PLATE ACT. SPRING
44	CX4503-1	SET PLATE ACTUATOR B
45	CX4658-1	ANTI-REVERSE RATCHET
46	CX4661	DRAG WASHER A
47	CX4662	DRIVE SHAFT SPR. WSHR
48	CX4258	O RING
49	CX4302	SPOOL TENSION SHIM B
50	NX4259	SPOOL TENSION KNOB
51	LX4703	HANDLE NUT LOCK
52	LX4704	HANDLE NUT LOCK SCR.
53	CX4501-1	SET PLATE ACTUATOR A
54	NX4107	LEFT SIDE PLATE SPACER
55	CX4153	GEAR RETAINING CLIP
56	NX4150	WORM SHAFT GEAR
57	BX4157	SPOOL SHAFT BUSHING B

Prices subject to change without notice. Prices do not include postage and handling.

**PLEASE ORDER BY PART NUMBER**

Rev. 11/90

Zebco Division Brunswick Corporation, Box 270, Tulsa, OK 74101 USA 918-436-5581

