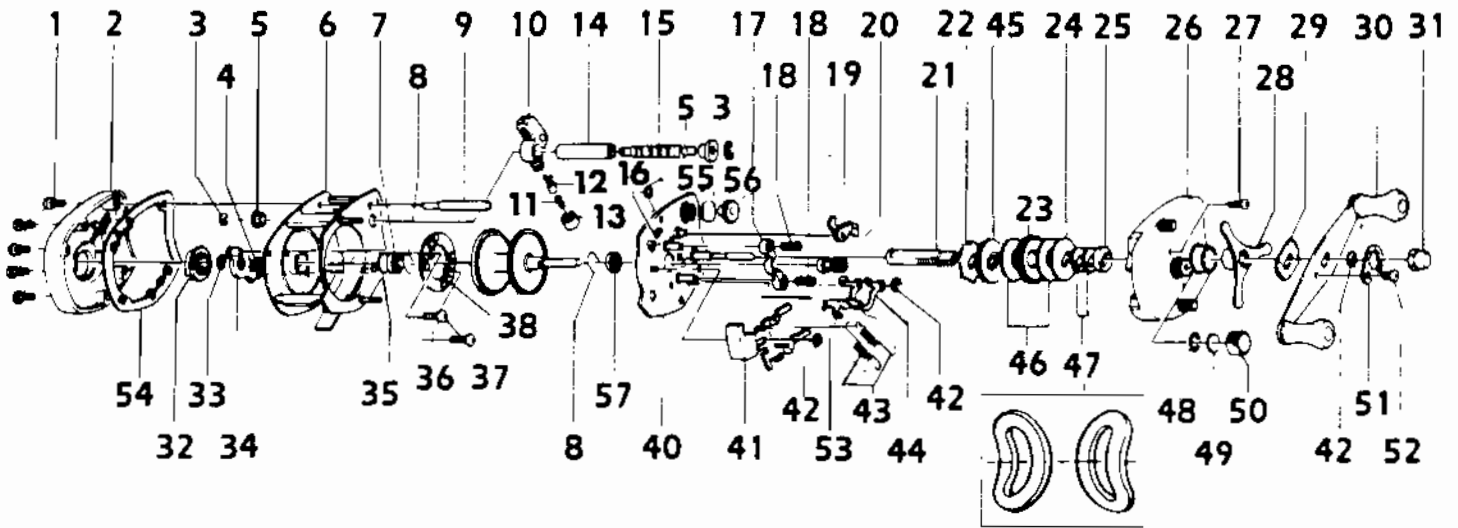


# QUANTUM 1310MG



Key No.	Part No.	Description	Key No.	Part No.	Description
	CX4000	SPARE PARTS W/WRENCH	28	NX4663	STAR DRAG
	NX4100	LEVEL WIND HOOD	29	CX4660	HANDLE WASHER
	T130	WRENCH	30	NX4701	HANDLE ASSY
1	LX4102	RIGHT SIDE PLATE SCR.	31	NX4702	HANDLE NUT
2	NX4101	LEFT SIDE PLATE	32	NX4303	MAGNETIC CONTROL DIAL
3	CX4152	WORM SHAFT RETAINER	33	CX4250	O RING
4	CX4301	MAGNET RET. SPRING	34	CX4261	MAGNET RET. SUPPORT
5	CX4156	WORM GUARD BUSHING	35	CX4255	SPOOL TENSION SHIM A
6	NX4051	FRAME	36	CX4602	MAGNET RETAINER SCREW
7	CX4252	SPOOL SHFT BEARING	37	CX4257	MAGNET RETAINER
8	CX4253	BEARING RETAINER	38	CX4251	SPOOL ASSY
9	BX4159	FRAME POST- SILVER	40	NX4351	SET PLATE
10	NX4201	LINE GUIDE	41	NX4402	SPOOL RELEASE BUTTON
11	CX4203	LINE GUIDE PAWL SPRING	42	CX4656	RETAINER CLIP
12	CX4202	LINE GUIDE PAWL	43	CX4353	SET PLATE ACT. SPRING
13	CX4204	PAWL CAP	44	CX4503-1	SET PLATE ACTUATOR B
14	BX4158	WORM SHFT GUARD-SILVER	45	CX4658-2	ANTI-REVERSE RATCHET
15	CX4151-1	WORM SHAFT W/O GEAR	46	CX4661	DRAG WASHER A
16	CX4502	SPOOL RELEASE SPRING	47	CX4662	DRIVE SHAFT SPR. WSHR
17	CX4401	PINION YOKE	48	CX4258	O RING
18	CX4403	PINION YOKE SPRING	49	CX4302	SPOOL TENSION SHIM B
19	CX4452-1	DOUBLE ANTI-REV PAWL	50	NX4259	SPOOL TENSION KNOB
20	NX4256	PINION GEAR	51	LX4703	HANDLE NUT LOCK
21	CX4652	DRIVE SHAFT	52	LX4704	HANDLE NUT LOCK SCR
22	CX4451-1	RELEASE RATCHET	53	CX4501-1	SET PLATE ACTUATOR A
23	NX4651	DRIVE GEAR	54	NX4107	LEFT SIDE PLATE SPACER
24	CX4659	DRAG WASHER B	55	CX4153	GEAR RETAINING CLIP
25	CX4254	DRIVE SHFT BUSH	56	NX4150	WORM SHAFT GEAR
26	NX4103	RIGHT SIDE PLATE	57	CX4252	SPOOL SHFT BEARING
27	LX4352	LEFT SIDE CVR SCREW			

WWW.REELDR.COM

Prices subject to change without notice. Prices do not include postage and handling

**PLEASE ORDER BY PART NUMBER**

Rev. 5/93

Zebco Division Brunswick Corporation, Box 270, Tulsa, OK 74101 USA 918-836-5581

