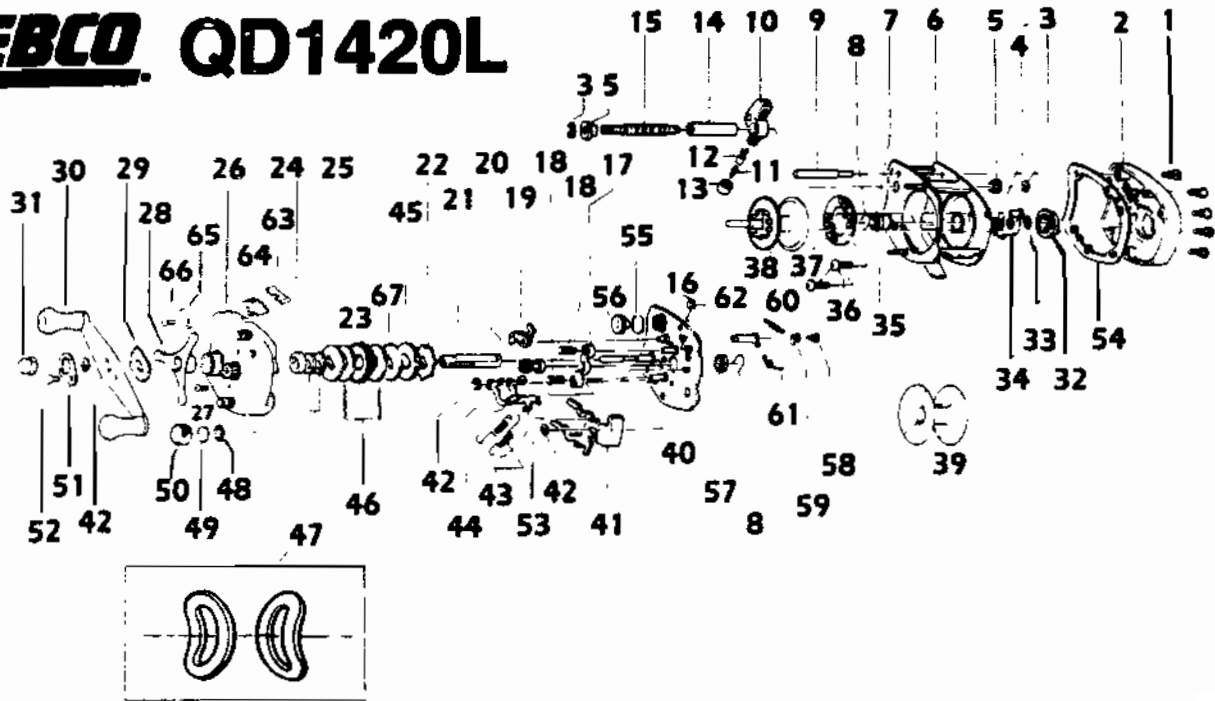


ZEBCO QD1420L



KEY PART NO.	DESCRIPTION
CX4000	SPARE PARTS W/WRENCH
* MX310	SET PLATE
* MX324	SIDE COVER
T130	WRENCH
1 LX4102	RIGHT SIDE PLATE SCR.
2 LX4101	RIGHT SIDE PLATE
3 CX4152	WORM SHAFT RETAINER
4 CX4301	MAGNET RET. SPRING
5 CX4156	WORM GUARD BUSHING
6 MX4051	FRAME
7 CX4252	SPOOL SHFT BEARING
8 CX4253	BEARING RETAINER
9 EX4159	FRAME POST SILVER
10 CX4201	LINE GUIDE
11 CX4203	LINE GUIDE PAWL SPRING
12 CX4202	LINE GUIDE PAWL
13 CX4204	PAWL CAP
14 EX4158	WORM SHFT GUARD-SILVER
15 FX4151	WORM SHAFT
16 CX4502	SPOOL RELEASE SPRING
17 CX4401	PINION YOKE
18 CX4403	PINION YOKE SPRING
19 LX4452	ANTI-REVERSE PAWL
20 LX4256	PINION GEAR
21 LX4652	DRIVE SHAFT
22 LX4451	RELEASE RATCHET
23 LX4651	DRIVE GEAR
24 CX4659	DRAG WASHER B
25 CX4254	DRIVE SHFT BUSH
* 26 MX4103	LEFT SIDE PLATE
27 LX4352	LEFT SIDE CVR SCREW
28 LX4663	STAR DRAG
29 CX4660	HANDLE WASHER
30 CX4701	HANDLE
31 LX4702	HANDLE NUT

KEY PART NO.	DESCRIPTION
32 CX4303	MAGNETIC CONTROL DIAL
33 CX4250	O RING
34 CX4261	MAGNET RET. SUPPORT
35 CX4255	SPOOL TENSION SHIM A
36 CX4602	MAGNET RETAINER SCREW
37 CX4257	MAGNET RETAINER
38 MX4251	SPOOL
39 FX4260	U SPOOL CONVERTER
* 40 MX4351	SET PLATE
41 LX4402	SPOOL RELEASE BUTTON
42 CX4656	RETAINER CLIP
43 FX4353	SET PLATE ACT. SPRING
44 LX4503	SET PLATE ACT. "B"
45 LX4658	ANTI-REVERSE RATCHET
46 CX4661	DRAG WASHER A
47 CX4662	DRIVE SHAFT SPR. WSHR
48 CX4258	O RING
49 CX4302	SPOOL TENSION SHIM B
50 LX4703	HANDLE NUT LOCK
51 LX4703	HANDLE NUT LOCK
52 LX4704	HANDLE NUT LOCK SCR.
53 LX4501	SET PLATE ACT. "A"
54 CX4107	LEFT PLATE SPACER-WR.
55 CX4153	GEAR RETAINING CLIP
56 LX4150	WORM SHAFT GEAR
57 CX4252	SPOOL SHFT BEARING
58 FX4552	CLICK PAWL SCREW
59 MX4551	CLICK PAWL
60 MX4553	CLICK PAWL SPRING
61 FX4556	CLICK CAM SPRING
62 MX4557	CLICK CAM
63 FX4455	ANTI-REV. LVR. PLATE
64 FX4456	ANTI-REV. LEVER
65 FX4558	BAIT CLICK LEVER
66 MX4559	BAIT CLICK LVR SCREW

*These parts used in production beginning May '90

WWW.REELDR.COM

Prices subject to change without notice. Prices do not include postage and handling.

PLEASE ORDER BY PART NUMBER

Rev. 11/90

Zebco Division Brunswick Corporation, Box 270, Tulsa, OK 74101 USA 918-836-5581

