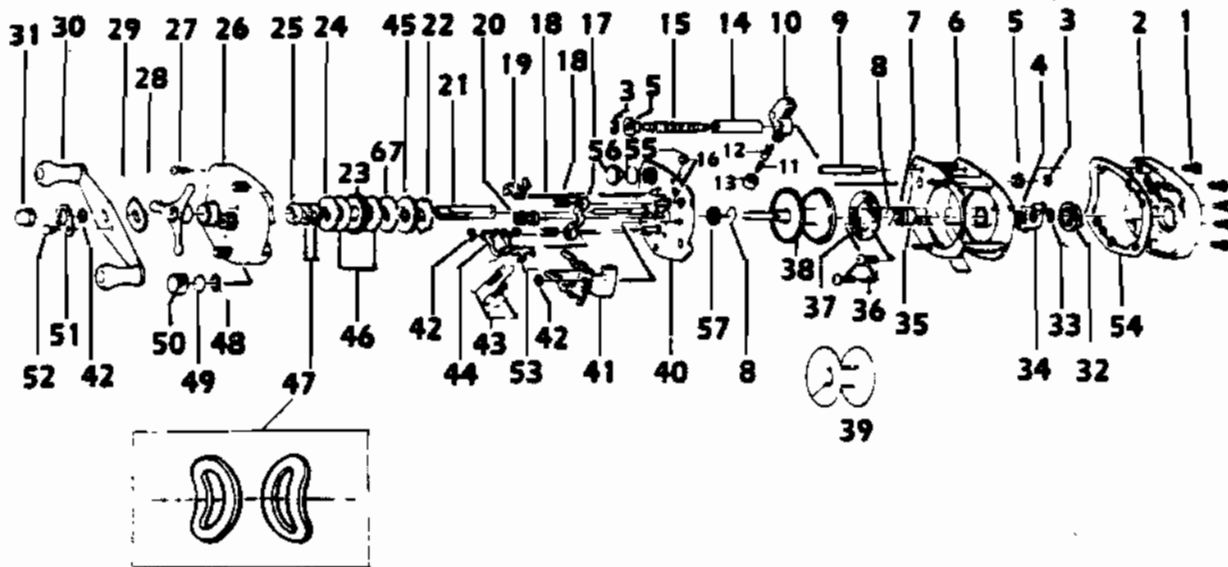


TEBCO QD1310L



KEY PART NO. NO.	DESCRIPTION
CX4000	SPARE PARTS W/WRENCH
CX4100	LEVEL WIND HOOD
LX310	SET PLATE ASSY.
LX324	SIDE COVER
T130	WRENCH
LX4102	RIGHT SIDE PLATE SCR.
LX4101	RIGHT SIDE PLATE
CX4152	WORM SHAFT RETAINER
CX4301	MAGNET RET. SPRING
CX4156	WORM GUARD BUSHING
LX4051	FRAME
CX4252	SPOOL SHFT BEARING
CX4253	BEARING RETAINER
BX4159	FRAME POST- SILVER
CX4201-1	LINE GUIDE
CX4203	LINE GUIDE PAWL SPRING
CX4202	LINE GUIDE PAWL
CX4204	PAWL CAP
BX4158	WORM SHFT GUARD-SILVER
CX4151-1	WORM SHAFT W/O GEAR
CX4502	SPOOL RELEASE SPRING
CX4401	PINION YOKE
CX4403	PINION YOKE SPRING
LX4452	ANTI-REVERSE PAWL
LX4256	PINION GEAR
LX4652	DRIVE SHAFT
LX4451	RELEASE RATCHET
LX4651	DRIVE GEAR
CX4659	DRAG WASHER B
CX4254	DRIVE SHFT BUSH
LX4103	LEFT SIDE PLATE
LX4352	LEFT SIDE CVR SCREW

KEY PART NO. NO.	DESCRIPTION
LX4663	STAR DRAG
CX4660	HANDLE WASHER
CX4701	HANDLE
LX4702	HANDLE NUT
CX4303	MAGNETIC CONTROL DIAL
CX4250	O RING
CX4261	MAGNET RET. SUPPORT
CX4255	SPOOL TENSION SHIM A
CX4602	MAGNET RETAINER SCREW
CX4257	MAGNET RETAINER
LX4251	SPOOL
CX4260	U SPOOL CONVERTER
LX4351	SET PLATE
LX4402	SPOOL RELEASE BUTTON
CX4256	PINION GEAR
FX4353	SET PLATE ACT SPRING
LX4503	SET PLATE ACT. "B"
LX4658	ANTI-REVERSE RATCHET
CX4661	DRAG WASHER A
CX4662	DRIVE SHAFT SPR. WSHR
CX4258	O RING
CX4302	SPOOL TENSION SHIM B
CX4259	SPOOL TENSION KNOB
LX4703	HANDLE NUT LOCK
LX4704	HANDLE NUT LOCK SCR.
LX4501	SET PLATE ACT. "A"
CX4107	LEFT PLATE SPACER-WH.
CR4153	GEAR RETAINING CLIP
LX4150	WORM SHAFT GEAR
CX4252	SPOOL SHFT BEARING
LX4666	DRAG WASHER C

*These parts used in production beginning May '90

WWW.REELDR.COM

Prices subject to change without notice. Prices do not include postage and handling.

PLEASE ORDER BY PART NUMBER

Rev. 11/90

Tebco Division Brunswick Corporation, Box 270, Tulsa, OK 74101 USA 918-836-6681

