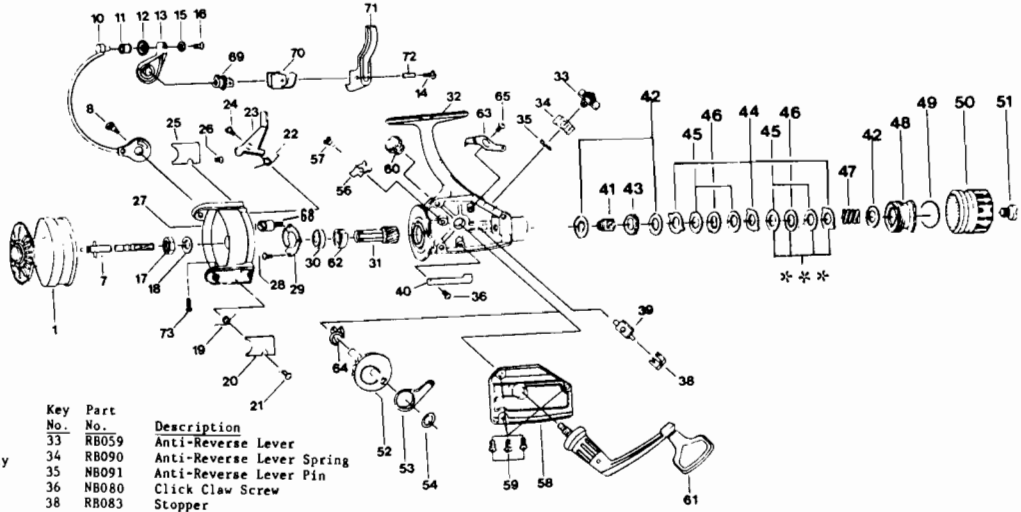


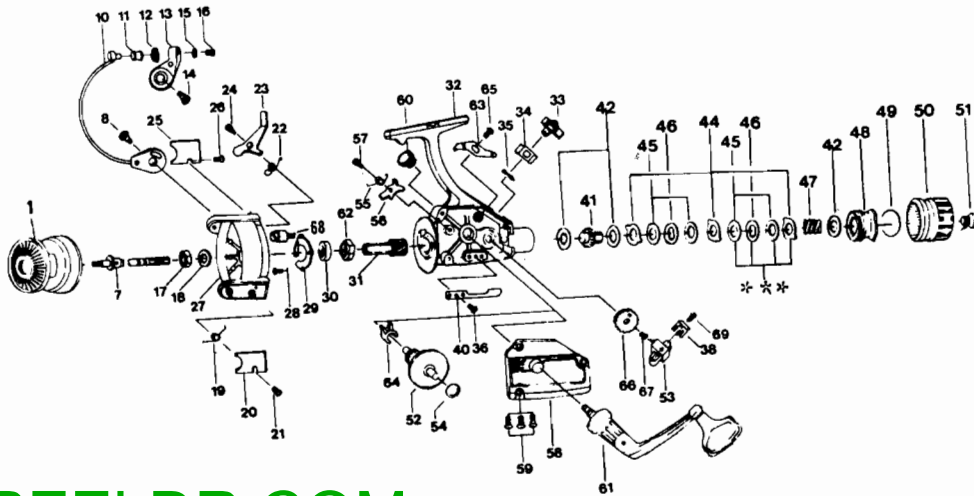
TEBCO pro staff™ 20, 20CC



Key No.	Part No.	Description	Key No.	Part No.	Description
1	RB321	Spool Assembly	33	RB059	Anti-Reverse Lever
7	RB315	Center Shaft Assembly	34	RB090	Anti-Reverse Lever Spring
8	RB048	Bail Screw B PS20	35	NB091	Anti-Reverse Lever Pin
	YB048	Bail Screw B PS20CC	36	NB080	Click Claw Screw
10	RB347	Bail Assembly PS20	38	RB083	Stopper
	YB347	Bail Assembly PS20CC	39	RB081	Sliding Pin
11	NB004	Line Roller	40	RB068	Click Claw
12	NB016	Line Roller Bushing	41	RB104	Slider Holder
13	NB007	Bail Arm A PS20	42	RB066	Drag Washer C
	YB007	Bail Arm A PS20CC	43	RB066	Click Gear
14	RB051	Bail Screw A	44	RB030	Drag Washer A
16	NB102	Bail Axle Washer	45	RB039	Drag Washer B
17	NB108	Bail Axle Screw	46	RB071	Drag Washer D
18	RB006	Rotor Nut	47	RB031	Crag Coil Spring
18	RB065	Rotor Nut Washer	48	RB112	Drag Nut
19	RB022	Bail Spring	49	RB070	Drag Retainer Ring
	YB022	Bail Spring	50	RB032	Drag Knob
20	RB087	Bail Spring Cover PS20	51	NB079	Drag Screw
	YB087	Bail Spring Cover PS20CC	52	RB012	Crank Gear
21	NB085	Bail Cover Screw	53	RB025	Oscillator Slider
22	RB049	Trip Lever Spring PS20	54	RB026	Crank Gear Shim
	YB049	Trip Lever Spring PS20CC	56	RB063	Anti-Reverse Pawl
23	RB019	Trip Lever PS20	57	RB089	Anti-Reverse Pawl Spring
	YB019	Trip Lever PS20CC	58	RB323	Side Plate Assembly
24	RB037	Trip Lever Screw	59	NB057	Side Plate Screw
25	RB024	Trip Lever Cover PS20	60	NB073	Handle Cap
	YB024	Trip Lever Cover PS20CC	61	RB318	Handle Assembly
26	NB085	Bail Cover Screw	62	RB060	Anti-Reverse Ratchet PS20
27	RB009	Rotor PS20	63	XB060	Anti-Reverse Ratchet PS20CC
	YB009	Rotor PS20CC	63	RB099	Anti-Reverse Lever Cam
28	NB080	Bearing Retainer Screw	64	RB086	Slider Spring
29	RB040	Bearing Retainer PS20	65	RB107	Anti-Reverse Lever Cam Screw
	YB040	Bearing Retainer PS20CC	68	RB062	Kick Lever Pin PS20
30	RB028	Ball Bearing	69	YB113	Trigger Holder PS20CC
31	RB011	Pinion	70	YB114	Trigger Spring PS20CC
32	RB301	Body Assembly PS20	71	YB115	Trigger PS20CC
	YB301	Body Assembly PS20CC	72	YB116	Trigger Pin PS20CC
			73	YB117	Trigger Holder Screw PS20CC

Key No.	Part No.	Description	Key No.	Part No.	Description
1	PB321	Spool Assy. PS40	30	NB028	Ball Bearing
	NB321	Spool Assy. PS50	31	NB011	Pinion
7	PB315	Center Shaft Assembly PS40	32	PB301	Body Assembly PS40
	NB315	Center Shaft Assembly PS50	33	NB301	Body Assembly PS50
8	PB048	Bail Screw B PS40	33	NB059	Anti-Reverse Lever Spring
	NB048	Bail Screw B PS50	34	NB090	Anti-Reverse Lever Pin
10	PB347	Bail Assembly PS40	35	NB091	Anti-Reverse Lever Pin
	NB347	Bail Assembly PS50	36	NB067	Click Claw Screw
11	PB004	Line Roller PS40	38	NB083	Stopper
	NB004	Line Roller PS50	40	NB068	Click Claw
12	PB016	Line Roller Bushing PS40	41	NB104	Slider Holder
	NB016	Line Roller Bushing PS50	42	NB046	Drag Washer C
13	PB007	Bail Arm A PS40	44	NB030	Drag Washer A
	NB007	Bail Arm A PS50	45	NB039	Drag Washer B
14	PB051	Bail Screw A PS40	46	NB071	Drag Washer D
	NB051	Bail Screw A PS50	47	NB031	Drag Coil Spring
15	PB102	Bail Axle Washer PS40	48	NB112	Drag Nut
	NB102	Bail Axle Washer PS50	49	NB070	Drag Retainer Ring
16	PB108	Bail Axle Screw PS40	50	NB032	Drag Knob
	NB108	Bail Axle Screw PS50	51	NB079	Drag Screw
17	NB006	Rotor Nut	52	NB012	Crank Gear
18	NB065	Rotor Nut Washer	53	NB025	Oscillator Slider
19	PB022	Bail Spring PS40	54	NB026	Crank Gear Shim
	NB022	Bail Spring PS50	55	NB063	Anti-Reverse Pawl
20	PB087	Bail Spring Cover PS40	56	NB089	Anti-Reverse Pawl Spring
	NB087	Bail Spring Cover PS50	57	NB063	Anti-Reverse Pawl
21	NB085	Bail Cover Screw	58	PB323	Side Plate Assembly PS40
22	NB049	Trip Lever Spring	58	NB323	Side Plate Assembly PS50
23	PB019	Trip Lever PS40	59	NB057	Side Plate Screw
	NB019	Trip Lever PS50	60	NB073	Handle Cap
24	NB037	Trip Lever Screw	61	NB318	Handle Assembly
25	PB024	Trip Lever Cover PS40	62	NB060	Anti-Reverse Ratchet
	NB024	Trip Lever Cover PS50	63	NB099	Anti-Reverse Lever Cam
26	NB085	Bail Cover Screw	64	RB086	Slider Spring
27	PB009	Rotor PS40	65	NB107	Anti-Reverse Lever Cam Screw
	NB009	Rotor PS50	66	NB053	Oscillator Gear
28	NB080	Bearing Retainer Screw	67	NB078	Oscillator Gear Screw
29	NB040	Bearing Retainer	68	NB062	Kick Lever Pin
			69	NB084	Stopper Screw

TEBCO pro staff™ 40, 50



WWW.REELDR.COM