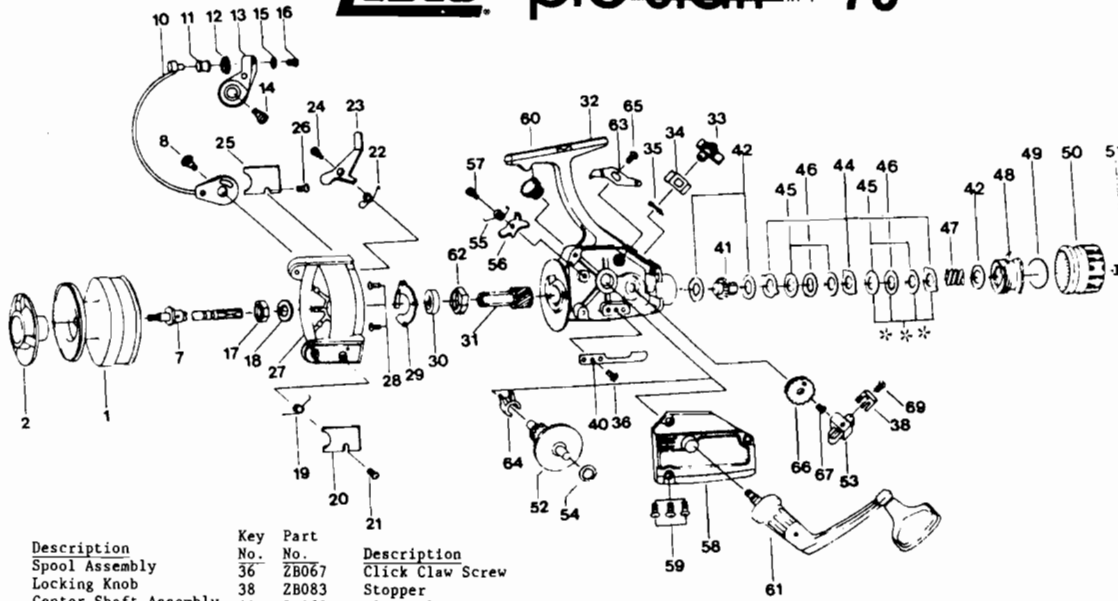


# TEBCO pro staff™ 70



Key No.	Part No.	Description	Key No.	Part No.	Description
1	ZB321	Spool Assembly	36	ZB067	Click Claw Screw
2	ZB050	Locking Knob	38	ZB083	Stopper
7	ZB315	Center Shaft Assembly	40	ZB068	Click Claw
8	ZB048	Bail Screw B	41	ZB104	Slider Holder
10	ZB347	Bail Assembly	42	ZB046	Drag Washer C
11	ZB004	Line Roller	44	ZB030	Drag Washer A
12	ZB016	Line Roller Bushing	45	ZB039	Drag Washer B
13	ZB007	Bail Arm A	46	ZB071	Drag Washer D
14	ZB051	Bail Screw A	47	ZB031	Drag Coil Spring
15	NB102	Bail Axle Washer	48	ZB112	Drag Nut
16	ZB108	Bail Axle Screw	49	ZB070	Drag Retainer Ring
17	NB006	Rotor Nut	50	ZB032	Drag Knob
18	NB065	Rotor Nut Washer	51	NB079	Drag Screw
19	ZB022	Bail Spring	52	ZB012	Crank Gear
20	ZB087	Bail Spring Cover	53	ZB025	Oscillator Slider
21	NB085	Bail Cover Screw	54	ZB026	Crank Gear Shim
22	ZB049	Trip Lever Spring	55	ZB061	Anti-Reverse Pawl Spring
23	ZB019	Trip Lever	56	ZB063	Anti-Reverse Pawl
24	ZB037	Trip Lever Screw	57	ZB089	Anti-Reverse Pawl Screw
25	ZB024	Trip Lever Cover	58	ZB323	Side Plate Assembly
26	NB085	Bail Cover Screw	59	ZB057	Side Plate Screw
27	ZB009	Rotor	60	NB073	Handle Cap
28	NB080	Bearing Retainer Screw	61	ZB318	Handle Assembly
29	ZB040	Bearing Retainer	62	ZB060	Anti-Reverse Ratchet
30	ZB028	Ball Bearing	63	ZB099	Anti-Reverse Lever Cam
31	ZB011	Pinion	64	ZB086	Slider Spring
32	ZB301	Body Assembly	65	ZB107	Lever Cam Screw
33	ZB059	Anti-Reverse Lever	66	ZB053	Oscillator Gear
34	ZB090	Anti-Rev. Lever Spring	67	ZB078	Oscillator Gear Screw
35	NB091	Anti-Reverse Lever Pin	69	NB084	Stopper Screw

Key No.	Part No.	Description	Key No.	Part No.	Description
1	Q11001	Body Assembly	37	Q13001	Side Plate
2	Q11002	Rotor Bearing	44	Q15001	Rotor
3	Q00403	Bearing Retainer	45	Q15003	Bail Trip Lever (A)
4	Q11004	Pinion Gear	46	Q15004	Bail Trip Lever (B)
5	Q11005	Pinion Sleeve	47	Q75005	Bail Trip Lever Spring
6	Q11006	Anti-Reverse Switch Knob	48	Q35007	Bail Bracket Screw
7	Q11007	Anti-Reverse Lever Spring	49	Q35007	Bail Hinge Screw
8	Q00308	Switch Knob Retaining Pin	50	Q15010	Rotor Cover (A)
9	Q11010	Anti-Reverse Ratchet	51	Q15011	Rotor Cover (B)
10	Q11011	Anti-Reverse Pawl	52	Q00114	Rotor Cover Screw (A)
11	Q71012	Anti-Reverse Pawl Screw	53	Q00114	Rotor Cover Screw (B)
12	Q11013	Silent Anti-Reverse Spring	54	Q15012	Bail Assembly
13	Q21015	Rotor Brake	55	Q15014	Line Roller
14	Q00108	Rotor Brake Screw	56	Q15015	Line Roller Bushing
15	Q11017	Silent Gear	57	Q00101	Line Roller Screw
16	Q11101	Drag Shaft	58	Q15016	Bail Hinge
17	Q11102	Fiber Drag Washer	59	Q15017	Bail Tension Spring
18	Q11104	Keyed Drag Washer	60	Q75018	Bail Trip Lever (B) Screw
19	Q11105	Teflon Drag Washer	67	Q35027	Bail Trip Lever (A) Washer
20	Q11106	Shaft Drag Washer	68	Q17001	Center Shaft Assembly
21	Q11108	Drag Spring Washer	69	Q18001	Crank Gear
22	Q11109	Main Drag Spring	70	Q18002	Oscillator Gear
23	Q11110	Drag Screw	71	Q18005	Rotor Nut
24	Q11112	Drag Knob Retainer	72	Q18006	Oscillator Slide Block
25	Q11115	Click Pawl	73	Q18009	Crank Gear Washer
26	Q00108	Click Pawl Screw	74	Q18014	Oscillator Block Retainer
27	Q11117	Drag Knob	79	Q01112	Side Plate Screw
28	Q00123	Drag Knob Screw	80	Q00105	Osc. Block Screw
29	Q11118	Drag Retainer Spring	81	Q14000	Spool Assembly
30	Q11119	Front Drag Washer	82	Q12000	Handle Assembly
			83	Q18000	Handle Screw Assembly

QUANTUM™ QMD50

WWW.REELDR.COM

