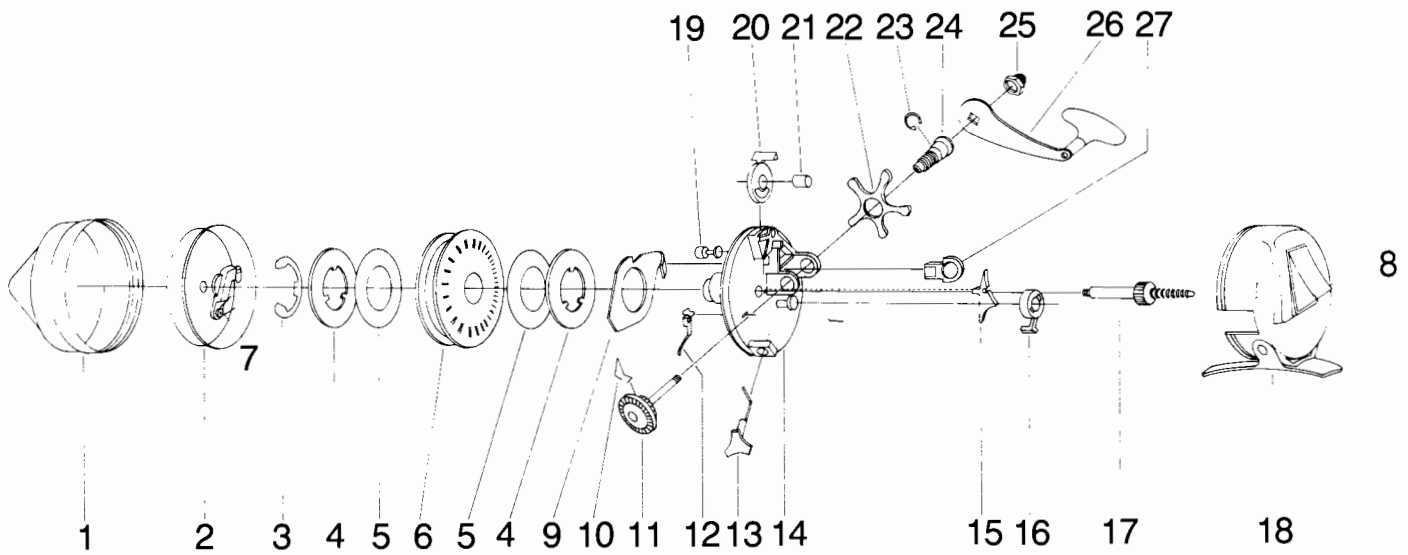


ZEBCO® pro staff™ 888 (PowerLever Drag)



KEY PART
NO. NO.

NO. NO.	DESCRIPTION
1 FE324-1	FRONT COVER S/A
2 EE310	SPINNERHEAD S/A
3 6Z034	SPOOL RETAINER CLIP
4 CQ040	SPOOL WASHER
5 EE108	SPOOL WASHER
6 EE021	SPOOL
6 EE321-25H	WOUND SPOOL W/25# MOND HI
7 PZ049	PICK-UP PIN SPRING
8 PY009	THUMB STOP
9 FE027	CLUTCH RING
10 EE052	ANTI-REVERSE DRAG
11 EE308	CRANK SHAFT ASSY.
12 RY033	RATCHET SPRING
13 EE014	BAIT CLICKER

KEY PART
NO. NO.

NO. NO.	DESCRIPTION
14 EE301	808/888 BODY S/A
15 EE063	ANTI-REVERSE PAWL
16 EE002	A/R ACTUATOR
17 EE315	CENTER SHAFT S/A
18 EE323-2	BACK COVER S/A
19 FE090	SPOOL LOCK PISTON
20 FE164	SPOOL LOCK LEVER
21 FE103	POWER LEVER LOCK PIN
22 FE032	DRAG STAR
23 EE121	RETAINER CLIP
24 FE026	CRANK SHAFT BUSHING
25 QZ003	CRANK NUT
26 PY318	CRANK HANDLE S/A LABELED
27 FE054	SLIDE ACTUATOR

WWW.REELDR.COM

Prices subject to change without notice. Prices do not include postage and handling.

PLEASE ORDER BY PART NUMBER

Rev. 9/88

Zebco Division Brunswick Corporation, Box 270, Tulsa, OK 74101 USA 918-836-5581

