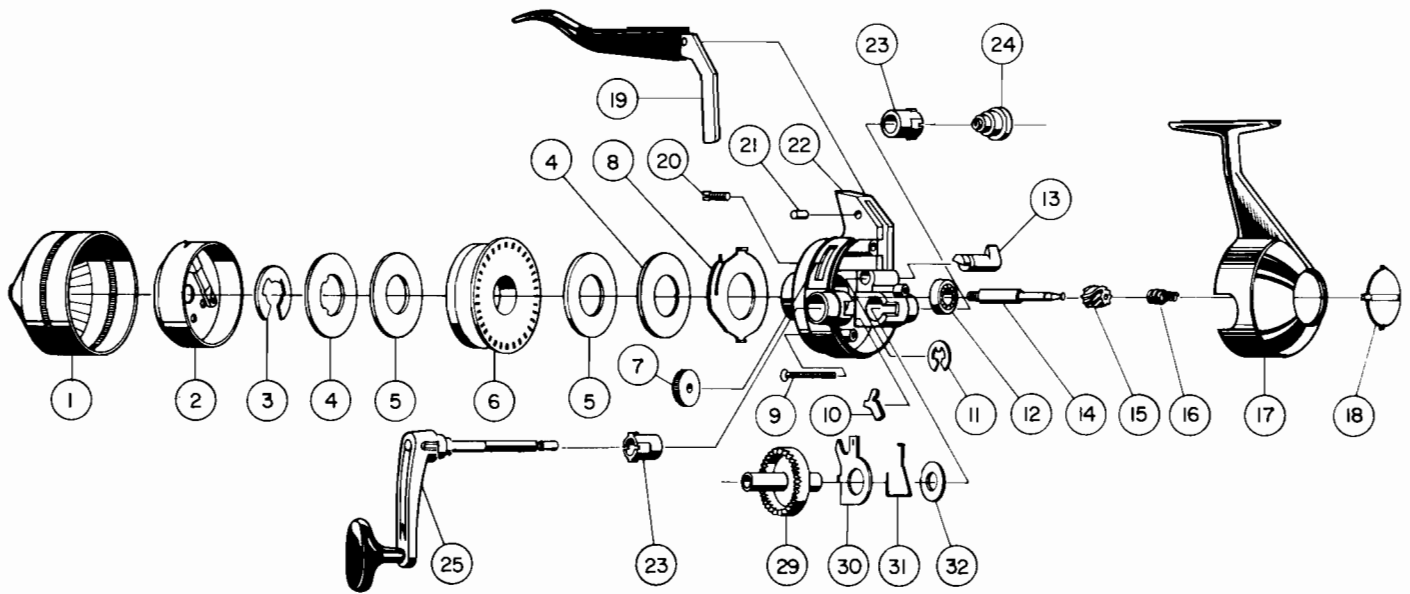


# ZEBCO FL44 Classic



## KEY PART

NO. NO.	DESCRIPTION
1 CJ324-5	FRONT COVER
2 HJ310	SPINNER HEAD S/A
3 G2034	SPOOL RETAINER CLIP
4 CJ040	SPOOL WASHER
5 EE108	SPOOL WASHER
6 CJ021	SPOOL
6 CJ321-20H	WOUND SPOOL 20#
7 BJ032	CLUTCH WHEEL
8 CJ027	CLUTCH RING
9 CJ126	MACHINE SCREW
10 HJ060	ANTI-REVERSE PAWL
11 BJ121	RETAINER CLIP
12 AZ028	BALL BEARING
13 CJ002	ANTI-REVERSE ACTUATOR
14 CJ015	CENTER SHAFT

## KEY PART

NO. NO.	DESCRIPTION
15 CJ011	PINION GEAR
16 DJ020	CENTER SHAFT SPRING
17 CJ323	BACK COVER S/A
18 DJ075	BACK CAP
19 CJ350-2	FINGER BRAKE S/A
20 BJ054	CLUTCH SCREW
21 CJ172	FINGER BRAKE PIN
22 CJ301-4	RODY S/A
23 CJ026	CRANK BEARING
24 DJ769-1	CRANK ROD NUT
25 <del>CJ318-5</del>	CRANK HANDLE
29 CJ012-2	CRANK GEAR
30 CJ014	ANTI-REVERSE DRAG
31 CJ061	ANTI-REVERSE PAWL SPRING
32 CJ106	FLAT WASHER

[WWW.REELDR.COM](http://WWW.REELDR.COM)

Prices subject to change without notice. Prices do not include postage and handling.

**PLEASE ORDER BY PART NUMBER**

Rev. 9/88

Zebco Division Brunswick Corporation, Box 270, Tulsa, OK 74101 USA 918-836-5581

