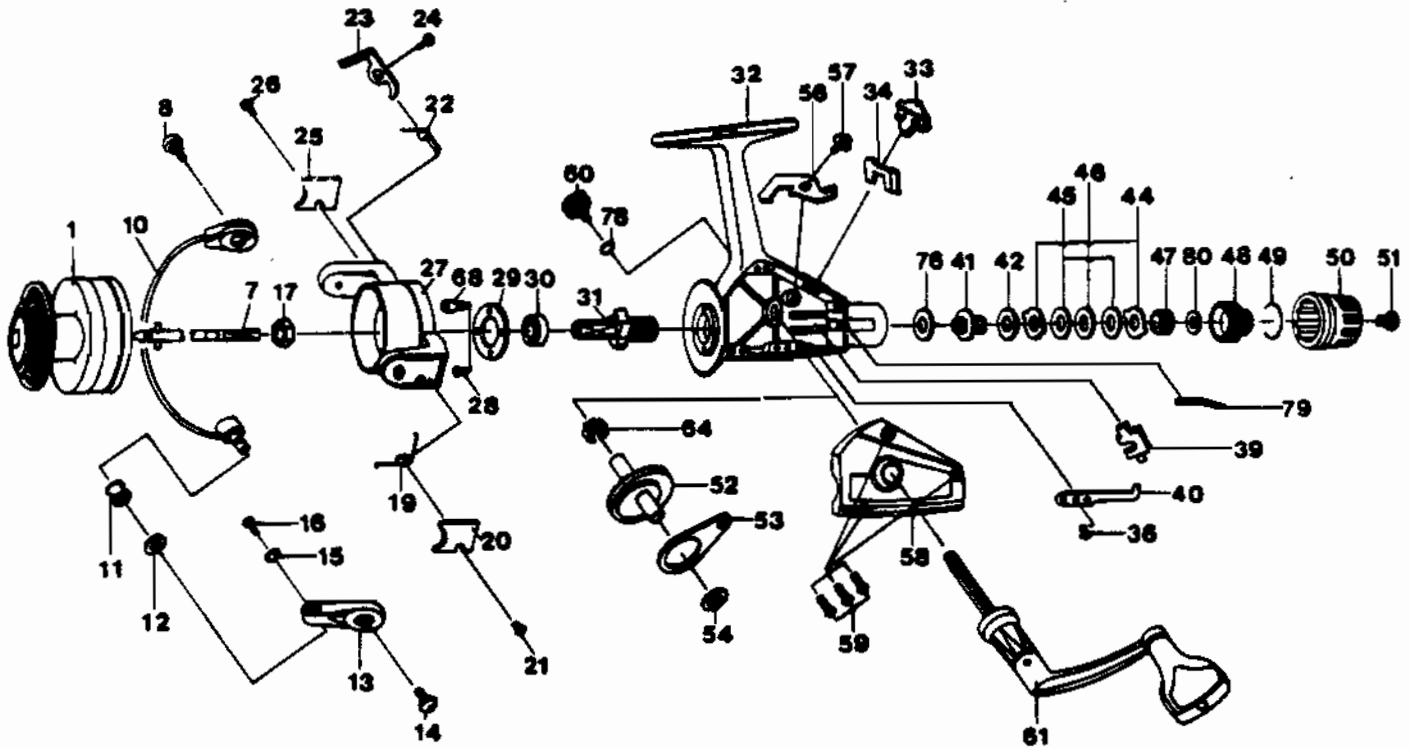


ZEBCO CR10



KEY PART

NO. NO.	DESCRIPTION
1 AK321	SPOOL ASSEMBLY
7 GS315	CTR SHAFT ASSY.
8 GS048	BAIL SCREW B
10 GS347	BAIL ASS'Y
11 NB004	LINE ROLLER
12 FS016	LN/ROLLER/BUSH.
13 GS007	BAIL ARM A
14 GS051	BAIL SCREW A
15 FS102	BAIL AXLE WASH
16 FS108	BAIL AXLE SCREW
17 RBO06	ROTOR NUT
19 RBO22	BAIL SPR. PS20
20 AK087	BAIL SPRING COVER
21 FS085	BAIL TRIP LVR CVR
22 RBO49	TRIP LVR. SPR.
23 RBO19	TRIP LVR. PS20
24 RBO37	TRIP LEVER SCREW
25 AK024	TRIP LEVER COVER
26 FS085	BAIL TRIP LVR CVR
27 AK009	ROTOR
28 NB080	BEARING RET. SCR.
29 RBO40	BEARING RET.
30 FS028	BALL BEARING
31 FS011	PIN.GEAR 4110,20
32 AK301	BODY ASSEMBLY
33 FS059	A/R LEVER
34 FS090	A/R LVR. SP.
35 NB080	BEARING RET. SCR.

WWW.REELDR.COM

KEY PART

NO. NO.	DESCRIPTION
39 FS081	PIN SLIDER
40 FS068	CLICK CLAW
41 FS104	SLIDER HOLDER
42 FS046	DRAG WASHER C
44 FS030	DRAG WASHER A
45 VBO39	DRAG WASHER B
46 VBO71	DRAG WASHER D
47 VBO31	DRAG COIL SPR
48 FS112	DRAG NUT
49 VBO70	DRAG RET. RING
50 AK032	DRAG KNOB
51 FS079	DRAG SCREW
52 FS012	CRANK GEAR 4110-20
53 FS025	OSCILLATOR SLIDER
54 RBO26	CRANK GEAR SHIM
56 FS063	A/R PANL
57 FS089	A/R SCREW
58 AK323	SIDE PLATE ASSY.
59 FS057	SLIDE PLATE SCR.
60 FS073	HANDLE CAP
61 FS318	HANDLE ASSY
64 RBO86	SLIDER SPRING
68 RBO62	KICK LEVER PIN
76 FS035	DRAG WASHER E
78 FS105	HNDLE SCR. WASH
79 FS033	BACK CLAW
80 FS036	REAR DRAG WASH

Prices subject to change without notice. Prices do not include postage and handling.

PLEASE ORDER BY PART NUMBER

Rev. 11/90

Zebco Division Brunswick Corporation, Box 270, Tula, OK 74101 USA 918-838-6681

BC
BRUNSWICK