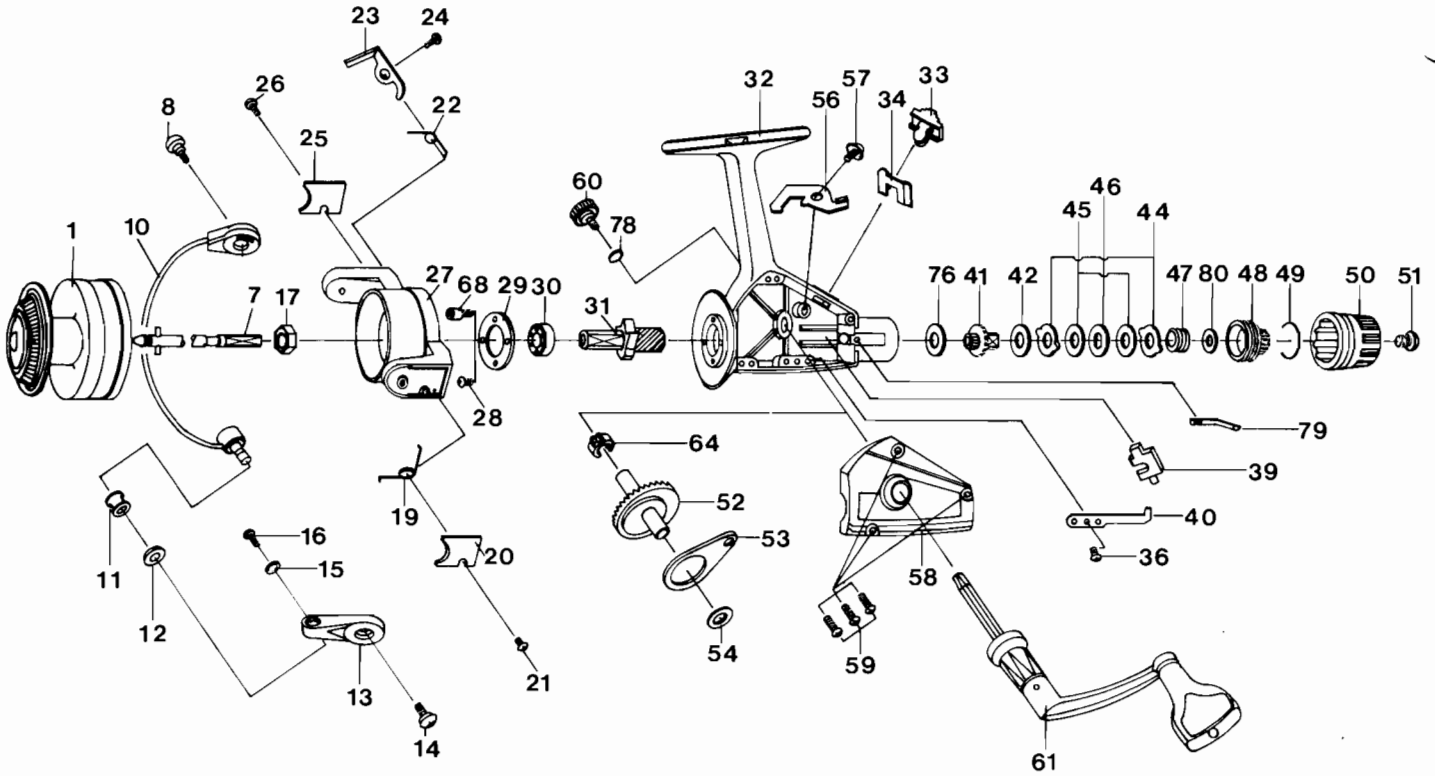


# ZEBCO CR10



**KEY PART  
NO. NO.**

| NO. NO.  | DESCRIPTION       |
|----------|-------------------|
| 1 AK321  | SPOOL ASSEMBLY    |
| 7 GS315  | CTR SHAFT ASSY.   |
| 8 GS048  | BAIL SCREW B      |
| 10 GS347 | BAIL ASS'Y        |
| 11 NB004 | LINE ROLLER       |
| 12 FS016 | LN/ROLLER/BUSH.   |
| 13 GS007 | BAIL ARM A        |
| 14 GS051 | BAIL SCREW A      |
| 15 FS102 | BAIL AXLE WASH    |
| 16 FS108 | BAIL AXLE SCREW   |
| 17 RB006 | ROTOR NUT         |
| 19 RB022 | BAIL SPR. PS20    |
| 20 AK087 | BAIL SPRING COVER |
| 21 FS085 | BAIL TRIP LVR CVR |
| 22 RB049 | TRIP LVR. SPR.    |
| 23 RB019 | TRIP LVR. PS20    |
| 24 RB037 | TRIP LEVER SCREW  |
| 25 AK024 | TRIP LEVER COVER  |
| 26 FS085 | BAIL TRIP LVR CVR |
| 27 AK009 | ROTOR             |
| 28 NB080 | BEARING RET. SCR. |
| 29 RB040 | BEARING RET.      |
| 30 FS028 | BALL BEARING      |
| 31 FS011 | PIN.GEAR 4110,20  |
| 32 AK301 | BODY ASSEMBLY     |
| 33 FS059 | A/R LEVER         |
| 34 FS090 | A/R LVR. SP.      |

**KEY PART  
NO. NO.**

| NO. NO.  | DESCRIPTION        |
|----------|--------------------|
| 35 NB080 | BEARING RET. SCR.  |
| 39 FS081 | PIN SLIDER         |
| 40 FS068 | CLICK CLAW         |
| 41 FS104 | SLIDER HOLDER      |
| 42 FS046 | DRAG WASHER C      |
| 44 FS030 | DRAG WASHER A      |
| 45 VB039 | DRAG WASHER B      |
| 46 VB071 | DRAG WASHER D      |
| 47 VB031 | DRAG COIL SPR      |
| 48 FS112 | DRAG NUT           |
| 49 VB070 | DRAG RET. RING     |
| 50 AK032 | DRAG KNOB          |
| 51 FS079 | DRAG SCREW         |
| 52 FS012 | CRANK BEAR 4110-20 |
| 53 FS025 | OSCILLATOR SLIDER  |
| 54 RB026 | CRANK GEAR SHIM    |
| 56 FS063 | A/R PAWL           |
| 57 FS089 | A/R SCREW          |
| 58 AK323 | SIDE PLATE ASSY.   |
| 59 FS057 | SLIDE PLATE SCR.   |
| 60 FS073 | HANDLE CAP         |
| 61 FS318 | HANDLE ASSY        |
| 64 RB086 | SLIDER SPRING      |
| 68 RB062 | KICK LEVER PIN     |
| 76 FS035 | DRAG WASHER E      |
| 78 FS105 | HNDLE SCR. WASH    |
| 79 FS033 | BACK CLAW          |
| 80 FS036 | REAR DRAG WASH     |

WWW.REELDR.COM

Prices subject to change without notice. Prices do not include postage and handling.

**PLEASE ORDER BY PART NUMBER**

Rev. 9/88

Zebco Division Brunswick Corporation, Box 270, Tulsa, OK 74101 USA 918-836-5581