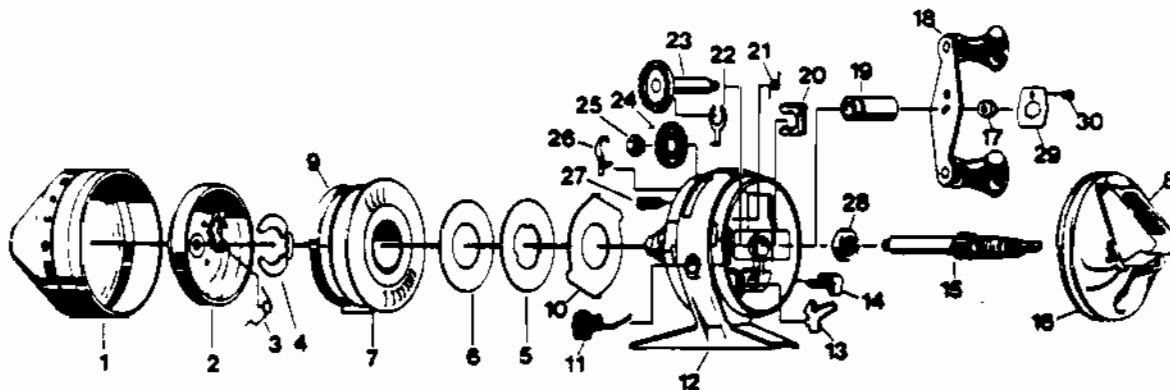


# ZEBCO® CGX33



Key No.	Part No.	Description
1	VY324-2	FRONT COVER ASSY.
2	RY310-2	SPINNERHEAD ASSY.
3	RY049	SPRING - PICKUP ARM
4	RY034-1	SPOOL RETAINER CLIP
5	CJ040-1	SPOOL WASHER (METAL)
6	CJ108-1	FLAT WASHER
7	RY021-1	SPOOL (EMPTY)
7	RY321-10H	WOUND SPOOL 10# MONO H.P.
8	JE309	THUMB BRAKE
9	RY036-1	SPOOL LIP
10	RY027-1	CLUTCH RING
11	RY014-1	BAIT CLICK
12	VY301-2	BODY ASSY.
13	RY060-1	ANTI-REVERSE PAWL
14	RY002	ANTI-REVERSE KNOB
15	JE315	CENTER SHAFT ASSY.
16	VY323-2	BACK COVER
17	VY003	CRANK NUT
18	KZ318-4	HANDLE ASSY.
19	RY026-1	CRANK BEARING
20	RY029-1	BEARING RETAINER CLIP
21	RY064-1	DRAG ADJUSTMENT SPRING
22	JY061	PAWL ACTUATOR
23	RY308-2	CRANK SHAFT ASSY.
24	RY332-2	DRAG WHEEL ASSY.
25	RY077-1	HEX NUT

Key No.	Part No.	Description
26	RY033	RATCHET SPRING
27	BJ054-2	CLUTCH SCREW
28	RY030	BALL BEARING
29	VY056	NUT LOCK
30	VY057	SCREW

WWW.REELDR.COM

Prices subject to change without notice. Prices do not include postage and handling.

**PLEASE ORDER BY PART NUMBER**

Rev. 5/93

Zebco Division Brunswick Corporation, Box 270, Tulsa, OK 74101 USA 918-836-5581

