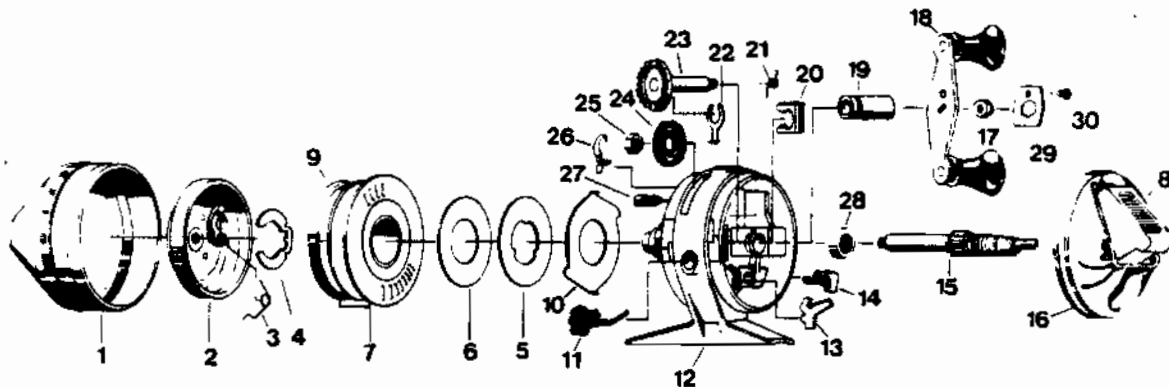


ZEBCO CGX33



KEY PART

NO. NO.	DESCRIPTION
1 VY324-2	FRONT COVER ASSY.
2 RY310-2	SPINNERHEAD ASSY.
3 RY049	SPRING - PICKUP ARM
4 RY034-1	SPOOL RETAINER CLIP
5 CJ040-1	SPOOL WASHER (METAL)
6 CJ108-1	FLAT WASHER
7 RY021-1	SPOOL (EMPTY)
7 RY321-10H	WOUND SPOOL 10# MONO H.P.
8 JE309	THUMB BRAKE
9 RY036-1	SPOOL LIP
10 RY027-1	CLUTCH RING
11 RY014	BAIT CLICK
12 VY301-2	BODY ASSY.
13 RY060-1	ANTI-REVERSE PAWL
14 RY002	ANTI-REVERSE KNOB
15 JE315	CENTER SHAFT ASSY.
16 VY323-2	BACK COVER
17 VY003	CRANK NUT
18 KZ318-4	HANDLE ASSY.
19 RY026-1	CRANK BEARING
20 RY029-1	BEARING RETAINER CLIP
21 RY064-1	DRAG ADJUSTMENT SPRING
22 JY061	PAWL ACTUATOR
23 RY308-2	CRANK SHAFT ASSY.
24 RY332-2	DRAG WHEEL ASSY.
25 RY077-1	HEX NUT
26 RY033	RATCHET SPRING
27 BJ054-2	CLUTCH SCREW
28 RY030	BALL BEARING
29 VY056	NUT LOCK
30 VY057	SCREW

WWW.REELDR.COM

Prices subject to change without notice. Prices do not include postage and handling.

PLEASE ORDER BY PART NUMBER

Rev. 11/90

Zebco Division Brunswick Corporation, Box 270, Tulsa, OK 74101 USA 918-836-5581

