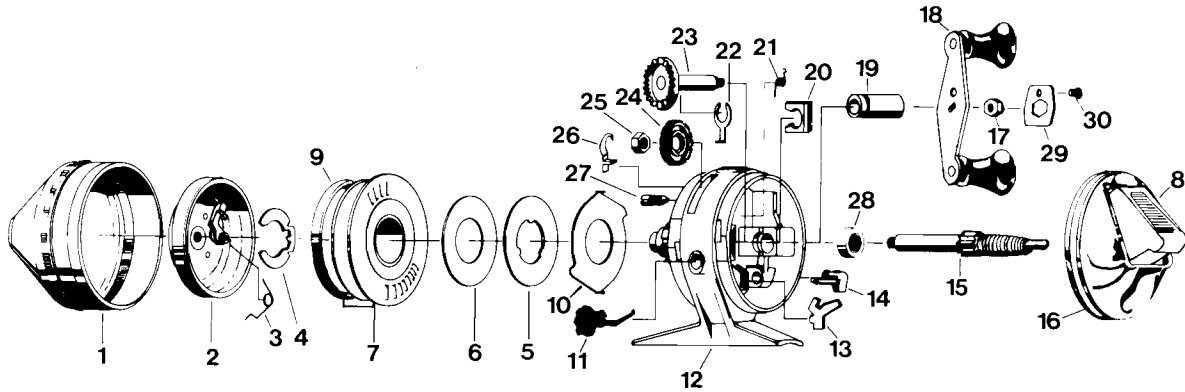


# ZEBCO CGX33



## KEY PART

NO. NO.	DESCRIPTION
1 VY324-2	FRONT COVER ASSY.
2 RY310	SPINNERHEAD ASSEMBLY
3 RY049	SPRING - PICKUP ARM
4 RY034	RETAINER CLIP
5 DJ040	SPOOL WASHER
6 CJ108	FLAT WASHER
7 RY321-10Z	WOUND SPOOL 10# MOND HI
8 JE309	THUMB BRAKE
9 RY036-1	SPOOL LIP
10 RY027	CLUTCH RING
11 RY014	BAIT CLICK
12 VY301-2	BODY ASSY.
13 RY060	ANTI-REVERSE PAWL
14 RY002	ANTI-REVERSE KNOB
15 JE315	CENTER SHAFT ASSY.

## KEY PART

NO. NO.	DESCRIPTION
16 VY323-2	BACK COVER
17 VY003	CRANK NUT
18 KZ318-4	HANDLE ASSY.
19 RY026	CRANK SHAFT BUSHING
20 RY029	RETAINER CLIP - PLASTIC
21 RY064	SPRING-DRAW ADJUSTMENT
22 JY061	PAWL ACTUATOR
23 RY308-2	CRANK SHAFT ASSY.
24 <del>RY332-2</del>	DRAG WHEEL ASSY.
25 RY077	HEX NUT
26 RY033	RATCHET SPRING
27 BQ054	CLUTCH SCREW
28 RY030	BALL BEARING
29 VY056	NUT LOCK
30 VY057	SCREW

[WWW.REELDR.COM](http://WWW.REELDR.COM)

Prices subject to change without notice. Prices do not include postage and handling.

**PLEASE ORDER BY PART NUMBER**

Rev. 9/88

Zebco Division Brunswick Corporation, Box 270, Tulsa, OK 74101 USA 918-836-5581

